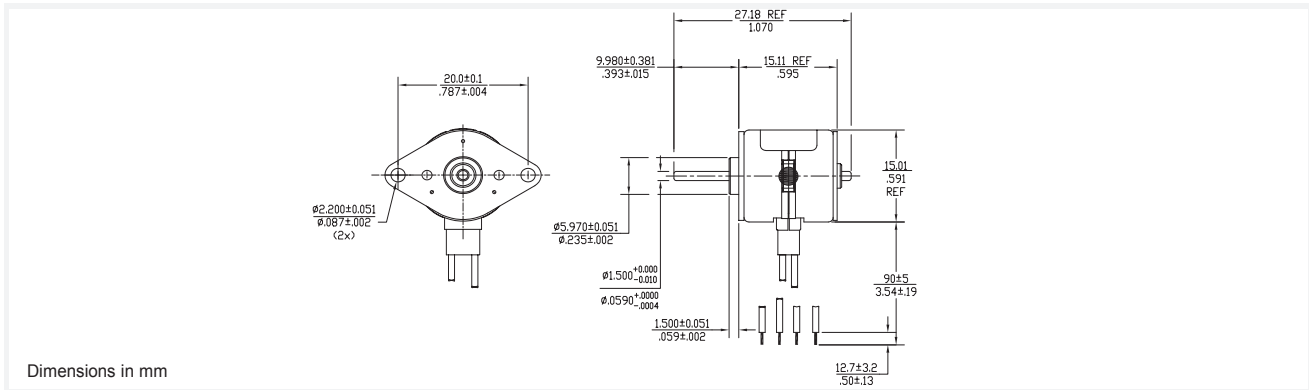


15M020D

RoHS Compliant

Ø15mm

3.87 mNm



15M020D

Electrical Data

15M020D1B Bipolar

1	Operating Voltage	5	VDC
2	Resistance per Phase, ± 10%	40.0	Ohms
3	Inductance per Phase, typ	14.0	mH
4	Rated Current per Phase *	0.13	A

Coil independent parameters

5	Holding Torque, MIN *	3.87 (0.55)	mNm (oz-in)
6	Detent Torque, Max	1.62 (0.23)	mNm (oz-in)
7	Rotor Inertia	0.115 (0.00063)	gcm ² (oz-in-s ²)
8	Step Angle	18.0	Degree
9	Absolute accuracy 2 ph. On, Full step	± 1.5	Degree
10	Steps per Revolution	20	
11	Ambient Temp Range (operating)	-20 to +70 (-4 to +158)	°C (°F)
12	Maximum Coil Temperature	130 (266)	°C (°F)
13	Bearing Type	Sintered Bronze Sleeve	
14	Insulation Resistance at 500 VDC	100	Mohms
15	Dielectric Withstanding Voltage	450 VRMS for 2 Seconds	VAC
16	Weight	14 (0.5)	g (oz)
17	Leadwire	AWG #28, UL1429 (80° C, 150 V)	

All Motor Data Values at 20°C Unless Otherwise Specified

* Energize at Rated Current, 2 Phase On

