

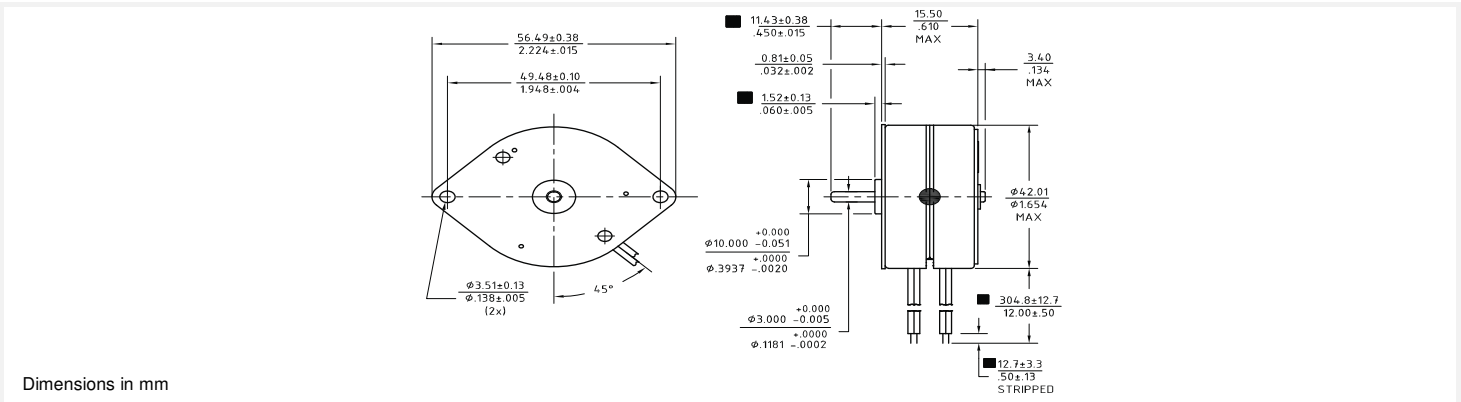
# Can Stack Stepper Motors

**42M100D**

RoHS Compliant

Ø42mm

60.7 mNm



## 42M100D

Electrical Data	42M100D1U Unipolar	42M100D2U Unipolar	42M100D1B Bipolar	42M100D2B Bipolar	
1 Operating Voltage	5	12	5	12	VDC
2 Resistance per Phase, ± 10%	12.5	75.0	12.5	75.0	Ohms
3 Inductance per Phase, typ	6.4	36.7	10.8	60.7	mH
4 Rated Current per Phase *	0.40	0.16	0.40	0.16	A
<b>Coil independent parameters</b>					
5 Holding Torque, MIN *	52.2 (7.4)	52.2 (7.4)	60.7 (8.6)	60.7 (8.6)	mNm (oz-in)
6 Detent Torque, Max	7.1 (1)				mNm (oz-in)
7 Rotor Inertia	9.5 (0.052)				gcm <sup>2</sup> (oz-in-s <sup>2</sup> )
8 Step Angle	3.6				Degree
9 Absolute accuracy 2 ph. On, Full step	±0.5				Degree
10 Steps per Revolution	100.0				
11 Ambient Temp Range (operating)	-20 TO 70 (-4 TO 158)				°C (°F)
12 Maximum Coil Temperature	130 (266)				°C (°F)
13 Bearing Type	Sintered Bronze Sleeve				
14 Insulation Resistance at 500 VDC	100.0				Mohms
15 Dielectric Withstanding Voltage	650±50 VRMS for 2 seconds				VAC
16 Weight	87.89 (3.1)				g (oz)
17 Leadwire	AWG#28, UL3265 (125°C, 150V)				

All Motor Data Values at 20°C Unless Otherwise Specified

\* Energize at Rated Current, 2 Phase On

