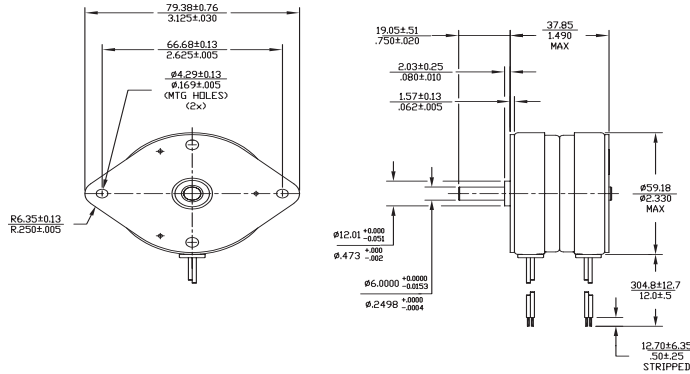


Can Stack Stepper Motors

60L048B

RoHS Compliant

Ø60mm 215.4 mNm



Dimensions in mm

60L048B

Electrical Data	60L048B1U Unipolar	60L048B2U Unipolar	60L048B1B Bipolar	60L048B2B Bipolar	
1 Operating Voltage	5	12	5	12	VDC
2 Resistance per Phase, ± 10%	4.6	26.2	4.6	26.2	Ohms
3 Inductance per Phase, typ	6.4	33.0	12.0	68.6	mH
4 Rated Current per Phase *	1.10	0.46	1.10	0.46	A
Coil independent parameters					
5 Holding Torque, MIN *	183.6 (26)	183.6 (26)	215.38 (30.5)	215.38 (30.5)	mNm (oz-in)
6 Detent Torque, Max		28.25 (4)			mNm (oz-in)
7 Rotor Inertia		95 (0.52)			gcm ² (oz-in-s ²)
8 Step Angle		7.5			Degree
9 Absolute accuracy 2 ph. On, Full step		±0.5			Degree
10 Steps per Revolution		48			
11 Ambient Temp Range (operating)		0 TO 60 (32 TO 140)			°C (°F)
12 Maximum Coil Temperature		130 (266)			°C (°F)
13 Bearing Type		Sintered Bronze Sleeve			
14 Insulation Resistance at 500 VDC		100			Mohms
15 Dielectric Withstanding Voltage		650 VRMS for 2 seconds			VAC
16 Weight		478 (16.8)			g (oz)
17 Leadwire		AWG #24, UL 1430 (105°C,600V)			

All Motor Data Values at 20°C Unless Otherwise Specified

* Energize at Rated Current, 2 Phase On

