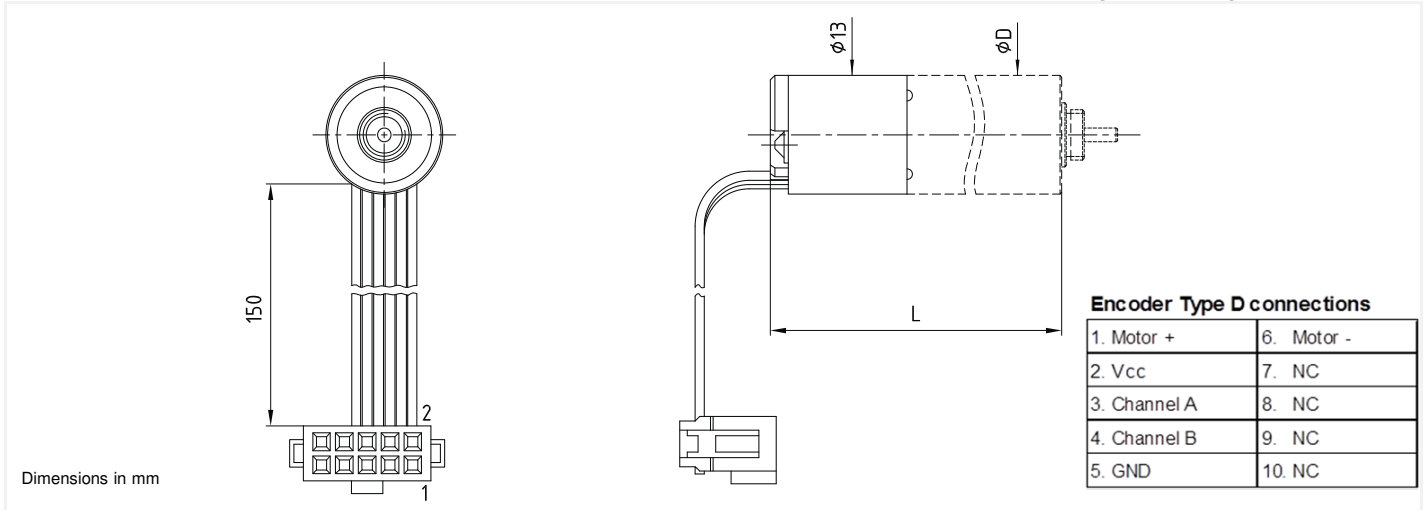


D12

Integrated Magnetic Encoder



Characteristics @ 22°C			
1	Number of Lines Available	12	LPR
2	Supply Voltage	5	Volt
3	Supply Current	Typical 4	mA
	Rise Time	125	ns
	Fall Time	50	ns
4	Output Signal	Two channels square wave	
5	Electrical Phase Shift	90 ± 40	degree
6	Signal Ratio	50 ± 25	%
7	Maximum Count Frequency	10	kHz
8	Operating Temperature Range:	-20 to +85	°C (°F)
9	Code Wheel Moment of Inertia	0.1	10 <sup>-7</sup> x kgm <sup>2</sup>
10	Weight	Varies by motor size. Contact us. g (oz)	

Available on motor types	13N88
Length with motor - mm (in)	40.4 (1.59)

Typical encoder output signal

