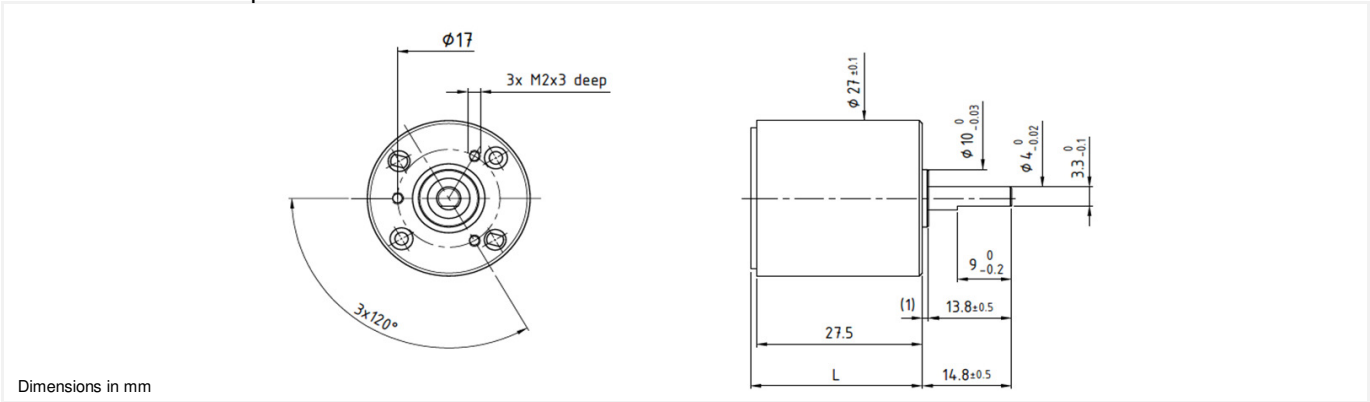


K27

Spur Gearbox

Ø 27mm

0.4 Nm



Dimensions in mm

Ratio	****	6.2	18.6	27.9	55.7	99.1	198	501	979	2970
1	Number of Gear Stages	4	4	4	4	6	6	6	6	9
2	Direction of Rotation	=	=	=	=	=	=	=	=	≠
3	Efficiency	0.65	0.65	0.65	0.65	0.55	0.55	0.55	0.55	0.4
4	L (mm)	28.5	28.5	28.5	28.5	28.5	28.5	28.5	28.5	28.5
5	Weight g (oz)	40 (1.410)	40 (1.410)	40 (1.410)	40 (1.410)	42 (1.481)	42 (1.481)	42 (1.481)	42 (1.481)	48 (1.693)
6	Available with Motor - L2 = Length with motor (mm)									
	22V28	62.9	62.9	62.9	62.9	62.9	62.9	62.9	62.9	62.9
	22V48	64.7	64.7	64.7	64.7	64.7	64.7	64.7	64.7	64.7
	22N78	60.5	60.5	60.5	60.5	60.5	60.5	60.5	60.5	60.5
	22N98	62.4	62.4	62.4	62.4	62.4	62.4	62.4	62.4	62.4
	23GST82	63.6	63.6	63.6	63.6	63.6	63.6	63.6	63.6	63.6
	26N58	71.8	71.8	71.8	71.8	71.8	71.8	71.8	71.8	71.8
	26N48	70.6	70.6	70.6	70.6	70.6	70.6	70.6	70.6	70.6
	P310	45.9	45.9	45.9	45.9	45.9	45.9	45.9	45.9	45.9
	22DCP/24DCT	60.5	60.5	60.5	60.5	60.5	60.5	60.5	60.5	60.5

Characteristics		K27 • 0 •			K27 2R • 0 •		
7	Shaft Bearings			Sleeve			Ball Bearing
8	Maximum Static Torque		Nm (oz-in)	0.7 (100)			0.7 (100)
9	Maximum Radial Force @ 8mm from mounting face		N (lb)	20 (4.5)			25 (5.5)
10	Maximum Axial Force		N (lb)	8 (1.8)			40 (9)
11	Maximum Press Fit Force		N (lb)	300 (67.5)			60 (13.5)
12	Average Backlash @ no-load			2°			2°
13	Average Backlash @ 0.3 Nm			3°			3°
Shaft Play:							
14	-radial		µm	≤ 60			≤ 20
15	-axial		µm	50-150			≤ 100
16	Maximum Recommended Input Speed		rpm	4000			4,000
17	Operating Temperature Range:		°C (°F)	-30 to +65 (-22 to +150)			

Motor + gearbox = L2

