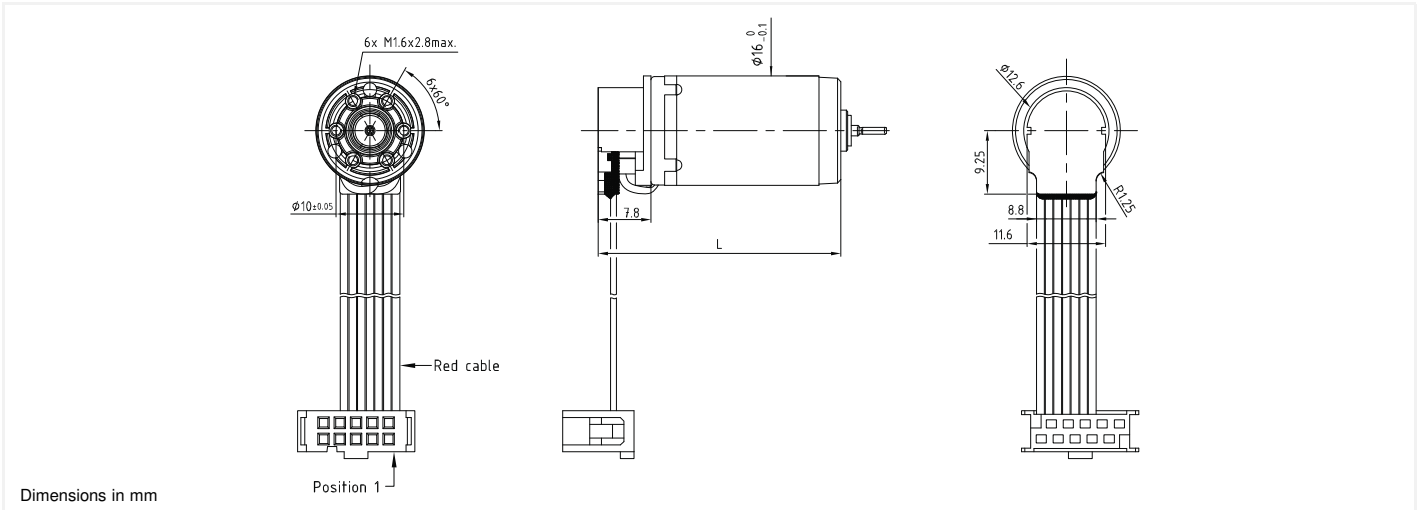


MR2

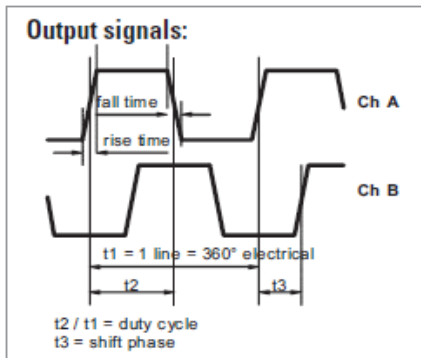
Magneto Resistive Encoder



Characteristics @ 22 °C		
1	Number of Lines Available	512, 500, 400, 256, 250, 200, 160, 128, 100, 80, 64, 50, 40, 32, 20, 16, 8, 4
2	Supply Voltage	5 ± 10%
3	Supply Current	20/25
	Rise Time	60
	Fall Time	60
4	Maximum Count Frequency	1.28
5	Electrical Phase Shift	90 ± 45
6	Duty Cycle	50 ± 15
7	Maximum Speed @ 512	37,500
8	Operating Temperature Range:	-25 to +85
9	Weight	Varies by motor size. Contact us.

Available on motor types	12G88	13N88	16G88	16N48	16N98	17S98	17N98	22N48
Length with motor - mm (in)	33.8 (1.33)	34.35 (1.35)	35.8 (1.41)	33.2 (1.31)	33.2 (1.31)	23.9 (0.94)	31.1 (1.22)	39.35 (1.55)

Available on motor types	22N98	22V48	25GST
Length with motor - mm (in)	39.35 (1.55)	41.65 (1.64)	53.9 (2.12)



Output connector:

1. Motor +
2. Vcc
3. Channel A
4. Channel B
5. GND
6. Motor -
7. Channel Z

Connector 10 poles
type Quickie II or equivalent
DIN 41651 A (UL E68080)