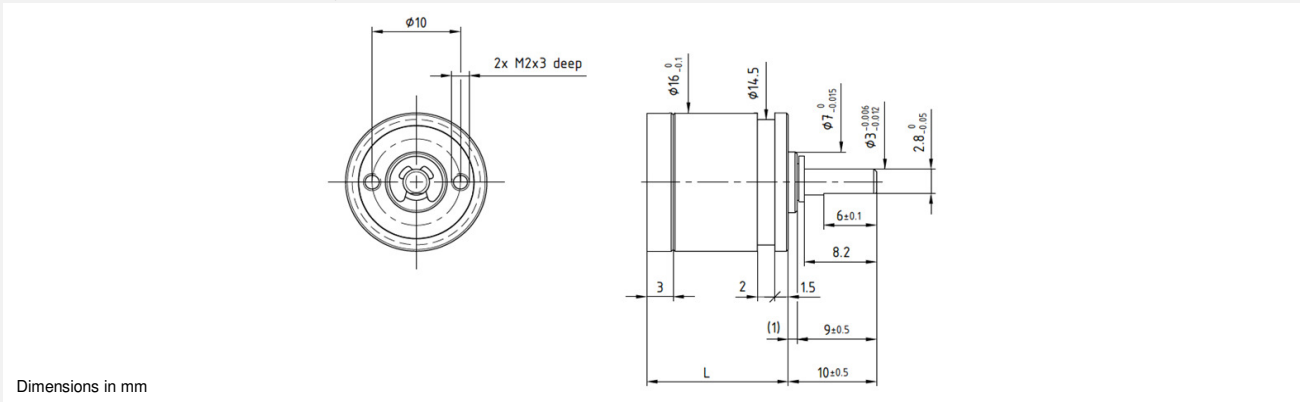


R16

Planetary Gearbox

∅ 16mm

0.3 Nm



| Ratio | **** | 5.5 | 22 | 30.2 | 88 | 121 | 166 | 352 | 484 | 665.5 | 915 |
|------------------------|--|---------------|---------------|-----------------------|---------------|--------------------------|---------------|--------------------------|---------------|---------------|---------------|
| 1 | Number of Gear Stages | 1 | 2 | 2 | 3 | 3 | 3 | 4 | 4 | 4 | 4 |
| 2 | Direction of Rotation | = | = | = | = | = | = | = | = | = | = |
| 3 | Efficiency | 0.85 | 0.75 | 0.75 | 0.65 | 0.65 | 0.65 | 0.55 | 0.55 | 0.55 | 0.55 |
| 4 | L(mm) | 16 | 20.1 | 20.1 | 24.2 | 24.2 | 24.2 | 28.3 | 28.3 | 28.3 | 28.3 |
| 5 | Weight g (oz) | 10 (0.352) | 13 (0.458) | 13 (0.458) | 16 (0.564) | 16 (0.564) | 16 (0.564) | 19 (0.670) | 19 (0.670) | 19 (0.670) | 19 (0.670) |
| 6 | Available with Motor - L2 = Length with motor (mm) | | | | | | | | | | |
| | 16C18 | 31.7 | 35.8 | 35.8 | 39.9 | 39.9 | 39.9 | 44 | 44 | 44 | 44 |
| | 16N28/78 | 44 | 48.1 | 48.1 | 52.2 | 52.2 | 52.2 | 56.3 | 56.3 | 56.3 | 56.3 |
| | 16G88 | 44 | 48.1 | 48.1 | 52.2 | 52.2 | 52.2 | 56.3 | 56.3 | 56.3 | 56.3 |
| | 17S78 | 34.7 | 38.8 | 38.8 | 42.9 | 42.9 | 42.9 | 47 | 47 | 47 | 47 |
| | 17N78 | 41.9 | 46 | 46 | 50.1 | 50.1 | 50.1 | 54.2 | 54.2 | 54.2 | 54.2 |
| | P110 | 35 | 39.1 | 39.1 | 43.2 | 43.2 | 43.2 | 47.3 | 47.3 | 47.3 | 47.3 |
| | 16DCP/17DCT | 42 | 46.1 | 46.1 | 50.2 | 50.2 | 50.2 | 54.3 | 54.3 | 54.3 | 54.3 |
| | 16ECP36 | 50.5 | 54.6 | 54.6 | 58.7 | 58.7 | 58.7 | 62.8 | 62.8 | 62.8 | 62.8 |
| | 16ECP52 | 66.5 | 70.6 | 70.6 | 74.7 | 74.7 | 74.7 | 78.8 | 78.8 | 78.8 | 78.8 |
| | 32BF | 27.2 | 31.3 | 31.3 | 35.4 | 35.4 | 35.4 | 39.5 | 39.5 | 39.5 | 39.5 |
| Characteristics | | | | R16 · 0 · | | | | R16 2R · 0 · | | | |
| 7 | Shaft Bearings | | | | | Sleeve | | Ball Bearing | | | |
| 8 | Maximum Static Torque | Nm (oz-in) | | | | 1 (141) | | 1 (141) | | | |
| 9 | Maximum Radial Force | | | | | 5 (1.12) | | 20 (4.5) | | | |
| | @ 8mm from mounting face | N (lb) | | | | | | | | | |
| 10 | Maximum Axial Force | N (lb) | | | | 8 (1.8) | | 10 (2.2) | | | |
| 11 | Maximum Press Fit Force | N (lb) | | | | 100 (23) | | 100 (23) | | | |
| 12 | Average Backlash @ no-load | | | | | 1.25° | | 1.25° | | | |
| 13 | Average Backlash @ 0.3 Nm | | | | | 2° | | 2° | | | |
| Shaft Play: | | | | | | | | | | | |
| 14 | -radial | µm | | | | ≤ 20 | | ≤ 10 | | | |
| 15 | -axial | µm | | | | 50-150 | | ≤ 50 | | | |
| 16 | Maximum Recommended Input Speed | rpm | | | | 7500 | | 7,500 | | | |
| 17 | Operating Temperature Range: | °C (°F) | | | | -30 to +85 (-22 to +185) | | | | | |

Motor + gearbox = L2

