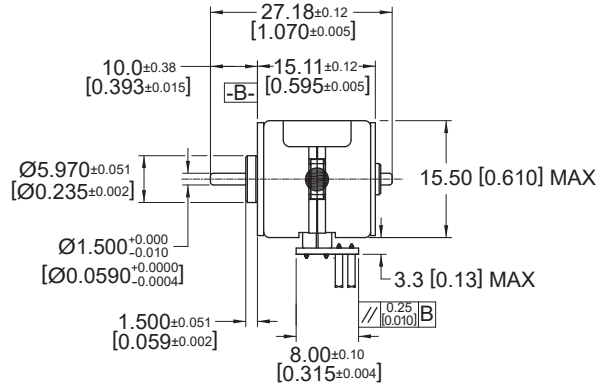
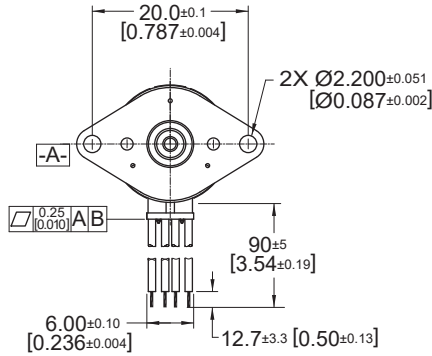


## 15M020D

Ø 15 mm • RoHS Compliant • 3.87 mNm



Dimensions in mm [inches]

Electrical Data	15M020D●● 1B Bipolar	Unit
1 Operating Voltage	5	VDC
2 Resistance per Phase, ± 10%	40.0	Ohms
3 Inductance per Phase, typ	14.0	mH
4 Rated Current per Phase *	0.13	A
Coil Independent Parameters		
5 Holding Torque, MIN *	3.87 (0.55)	mNm (oz-in)
6 Detent Torque, Max	1.62 (0.23)	mNm (oz-in)
7 Rotor Inertia	0.115 (0.00063)	gcm <sup>2</sup> (oz-in <sup>2</sup> )
8 Step Angle	18.0	Degree
9 Absolute accuracy 2 ph. On, Full step	± 1.5	Degree
10 Steps per Revolution	20	
11 Ambient Temp Range (operating)	-20 to +70 (-4 to +158)	°C (°F)
12 Maximum Coil Temperature	130 (266)	°C (°F)
13 Bearing Type	Sintered Bronze Sleeve	
14 Insulation Resistance at 500 VDC	100	Mohms
15 Dielectric Withstanding Voltage	450 VRMS for 2 Seconds	VAC
16 Weight	14 (0.5)	g (oz)
17 Leadwire	AWG #28, UL1429 (80° C, 150 V)	

Note: All motor data values at 20° C unless otherwise specified

\* Engergize at rated current, 2-Phase On

