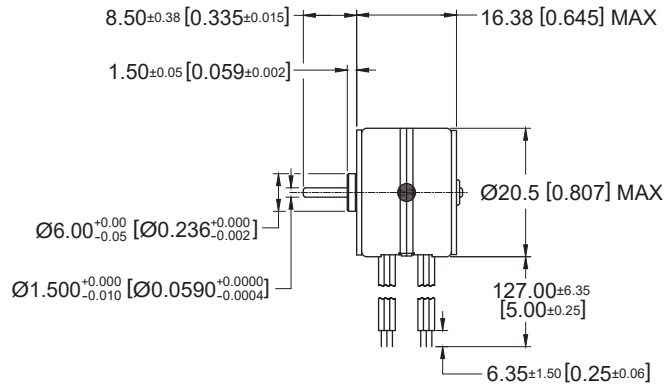
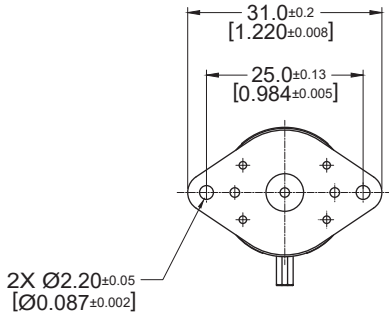


20M020D

Ø 20 mm • RoHS Compliant • 11 mNm



Dimensions in mm [inches]

Electrical Data	20M020D••				Unit
	1U Unipolar	2U Unipolar	1B Bipolar	2B Bipolar	
1 Operating Voltage	5	12	5	12	VDC
2 Resistance per Phase, ± 10%	20.0	115.2	20.0	115.2	Ohms
3 Inductance per Phase, typ	3.9	20.3	7.8	52.8	mH
4 Rated Current per Phase *	0.25	0.10	0.25	0.10	A
Coil Independent Parameters					
5 Holding Torque, MIN *	7.8 (1.11)	7.8 (1.11)	11.0 (1.56)	11.0 (1.56)	mNm (oz-in)
6 Detent Torque, Max		3.53 (0.5)			mNm (oz-in)
7 Rotor Inertia		0.41 (0.00224)			gcm ² (oz-in ²)
8 Step Angle		18.0			Degree
9 Absolute accuracy 2 ph. On, Full step		± 1.5			Degree
10 Steps per Revolution		20			
11 Ambient Temp Range (operating)		-20 to +70 (-4 to +158)			°C (°F)
12 Maximum Coil Temperature		130 (266)			°C (°F)
13 Bearing Type		Sintered Bronze Sleeve			
14 Insulation Resistance at 500 VDC		100			Mohms
15 Dielectric Withstanding Voltage		450 VRMS for 2 seconds			VAC
16 Weight		23.5 (0.832)			g (oz)
17 Leadwire		AWG 28, UL 1429			

Note: All motor data values at 20° C unless otherwise specified
 * Engergize at rated current, 2-Phase On

