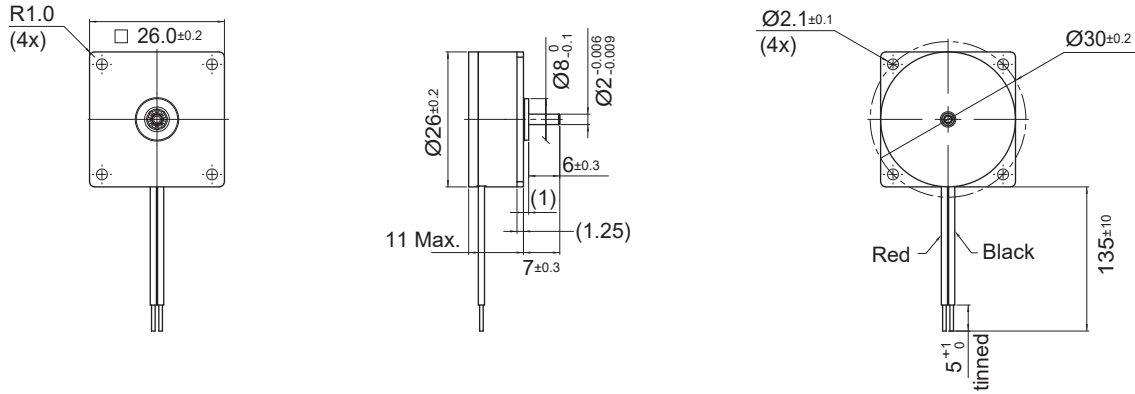


26BF 2-Wire nuvoDisc™

Ø 26 mm • 8-pole • 2.2 W



Dimensions in mm

Electrical Data	Symbol	26BF11-2A 96	Unit
1 Nominal Voltage	U_N	6	Volt
2 Optimization Direction	-	Clockwise	-
3 No-Load Speed	n_0	6,209	rpm
4 Typical No-Load Current	I_0	30	mA
5 Max Continuous Mechanical Power (@25°C)	P_{max}	2.2	W
6 Max Continuous Current	$I_{e,max}$	0.45	A
7 Max Continuous Torque	$M_{e,max}$	3.5 (0.5)	mNm (oz-in)
8 Back EMF Constant	k_E	0.94	V/1000 rpm
9 Torque Constant	k_M	8.96 (1.27)	mNm/A (oz-in/A)
10 Motor Regulation	R/k^2	72	10 ³ /Nms
11 Motor Regulation	$k/R^{1/2}$	3.72 (0.53)	mNm/W ^{1/2} (oz-in/W ^{1/2})
12 Internal Resistance - phase to phase	R_i	5.8	ohms
13 Line to Line Resistance at Connectors	R_L	5.8	ohms
14 Inductance Phase to Phase	L	0.37	mH
15 Mechanical Time Constant	τ_m	59	ms
16 Electrical Time Constant	τ_e	0.06	ms

General Data			
17 Maximum Motor Speed	n_{max}	12,000	rpm
18 Ambient Working Temperature Range	-	-30 to +80 (-22 to +176)	°C (°F)
19 Ambient Storage Temperature Range	-	-40 to +80 (-40 to +176)	°C (°F)
20 Ball Bearings Preload	-	2.7 (0.6)	N
21 Axial Static Force w/o Shaft Support (max)	-	100 (22.5)	N
22 Maximum Winding Temperature	-	100 (212)	°C (°F)
23 Thermal Resistance	R_{th}	35	°C/W
24 Thermal Time Constant	τ_w	280	s
25 Weight	-	25 (0.88)	g (oz)
26 Rotor Inertia	J	8.14	g-cm ²
27 Hall Sensor Electrical Phasing	-	NA	Electrical °

Wire	Description
Red	3.5 to 15V DC
Black	GND

A reverse polarity will damage the electronics permanently

PWM not allowed on power supply

When ordering, please choose CW or CCW for rotation direction seen from shaft output side

