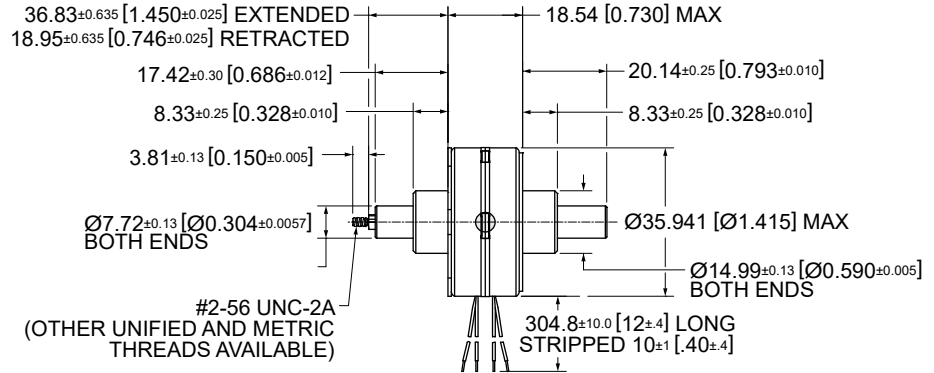
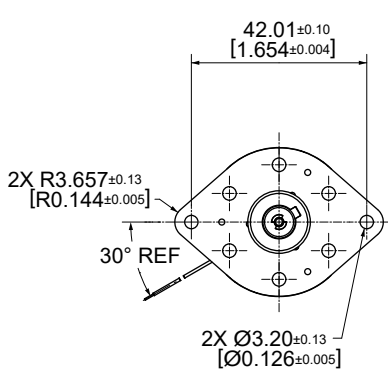


35DBM-K

Ø 35 mm • RoHS Compliant • 112 N



Dimensions in mm. [inches]

Electrical Data	35DBMXX●●●-K			Unit
	D1B Bipolar	D2B Bipolar	D3B Bipolar	
1 Operating Voltage #	5	12	2.5	VDC
2 Resistance per Phase, ± 10%	10.0	58.0	2.5	Ohms
3 Inductance per Phase, typ	9.5	51.4	2.4	mH
4 Rated Current per Phase, 1 Phase ON	0.71	0.29	1.41	A
5 Input Power	5.0	5.0	5.0	W

General Data	XX	Linear travel per step		
6 Min. Holding Force @ rated current	10	@ .001" (0.0254mm)	112 (403)	N (oz)
	20	@ .002" (0.0508mm)	70 (252)	N (oz)
7 Min. Holding Force (Unenergized)	10	@ .001" (0.0254mm)	40 (144)	N (oz)
	20	@ .002" (0.0508mm)	10 (36)	N (oz)
8 Stroke Length, Typ			17 (0.67)	mm (in)
9 Linear Travel Accuracy			± 1 Step	
10 Steps per Revolution			48	
11 Ambient Temperature Range (operating)			-20 to +70 (-4 to +158)	°C (°F)
12 Maximum Coil Temperature			130 (266)	°C (°F)
13 Bearing Type			Ball Bearing	
14 Insulation Resistance at 500 VDC			20	Mohms
15 Dielectric Withstanding Voltage			650 for 2 seconds	VAC
16 Weight			85 (3)	g (oz)
17 Leadwire			AWG 26, UL 1429	

Notes: 1. All motor data values at 20° C unless otherwise specified – 2. # Voltage in case of voltage driver (indicator R•)

