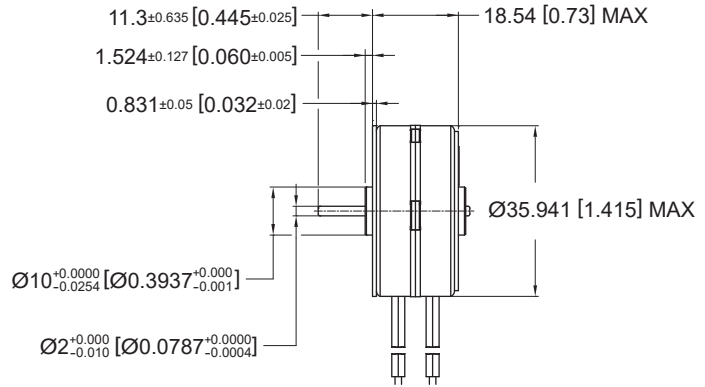
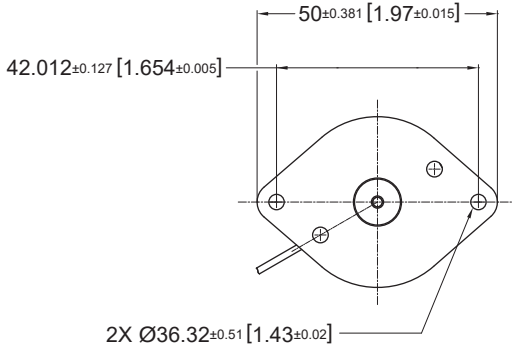


35M048B

Ø 35 mm • RoHS Compliant • 20 mNm



Dimensions in mm [inches]

Electrical Data	35M048B••				Unit
	1U Unipolar	2U Unipolar	1B Bipolar	2B Bipolar	
1 Operating Voltage	5	12	5	12	VDC
2 Resistance per Phase, ± 10%	12.5	72.0	12.5	72.0	Ohms
3 Inductance per Phase, typ	7.8	36.0	16.4	86.0	mH
4 Rated Current per Phase *	0.40	0.17	0.40	0.17	A
Coil Independent Parameters					
5 Holding Torque, MIN *	18.35 (2.6)	18.35 (2.6)	19.76 (2.8)	19.76 (2.8)	mNm (oz-in)
6 Detent Torque, Max	2.12 (0.3)				mNm (oz-in)
7 Rotor Inertia	2 (0.011)				gcm ² (oz-in ²)
8 Step Angle	7.5				Degree
9 Absolute accuracy 2 ph. On, Full step	± 0.5				Degree
10 Steps per Revolution	48.0				
11 Ambient Temp Range (operating)	-20 to +70 (-4 to +158)				°C (°F)
12 Maximum Coil Temperature	130 (266)				°C (°F)
13 Bearing Type	Sintered Bronze Sleeve				
14 Insulation Resistance at 500 VDC	100.0				Mohms
15 Dielectric Withstanding Voltage	650 VRMS for 2 seconds				VAC
16 Weight	88 (3.1)				g (oz)
17 Leadwire	AWG #26, UL1430 (105° C, 300 V)				

Note: All motor data values at 20° C unless otherwise specified
 * Engergize at rated current, 2-Phase On

