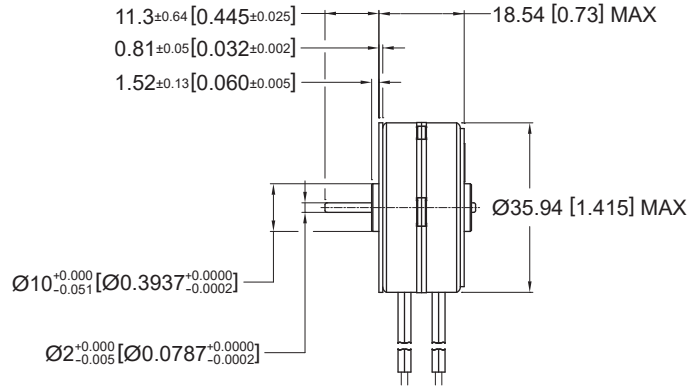
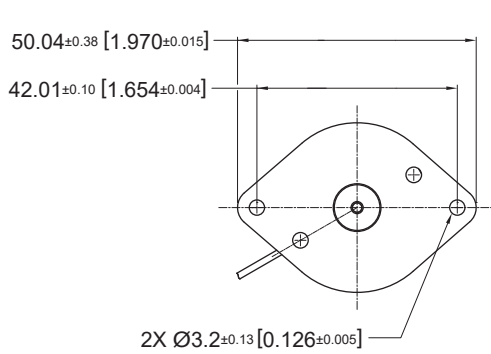


## 35M048D

Ø 35 mm • RoHS Compliant • 25 mNm



Dimensions in mm [inches]

Electrical Data	35M048D••				Unit
	1U Unipolar	2U Unipolar	1B Bipolar	2B Bipolar	
1 Operating Voltage	5	12	5	12	VDC
2 Resistance per Phase, ± 10%	12.5	72.0	12.5	72.0	Ohms
3 Inductance per Phase, typ	8.5	38.0	16.3	90.0	mH
4 Rated Current per Phase *	0.40	0.17	0.40	0.17	A
Coil Independent Parameters					
5 Holding Torque, MIN *	20 (2.8)	20 (2.8)	25 (3.5)	25 (3.5)	mNm (oz-in)
6 Detent Torque, Max		6.3 (0.89)			mNm (oz-in)
7 Rotor Inertia		2 (0.011)			gcm <sup>2</sup> (oz-in <sup>2</sup> )
8 Step Angle		7.5			Degree
9 Absolute accuracy 2 ph. On, Full step		± 0.5			Degree
10 Steps per Revolution		48.0			
11 Ambient Temp Range (operating)		-20 to +70 (-4 to +158)			°C (°F)
12 Maximum Coil Temperature		130 (266)			°C (°F)
13 Bearing Type		Sintered Bronze Sleeve			
14 Insulation Resistance at 500 VDC		100.0			Mohms
15 Dielectric Withstanding Voltage		650 VRMS for 2 seconds			VAC
16 Weight		88 (3.1)			g (oz)
17 Leadwire		AWG #26, UL1430 (105° C, 300 V)			

Note: All motor data values at 20° C unless otherwise specified  
 \* Engergize at rated current, 2-Phase On

