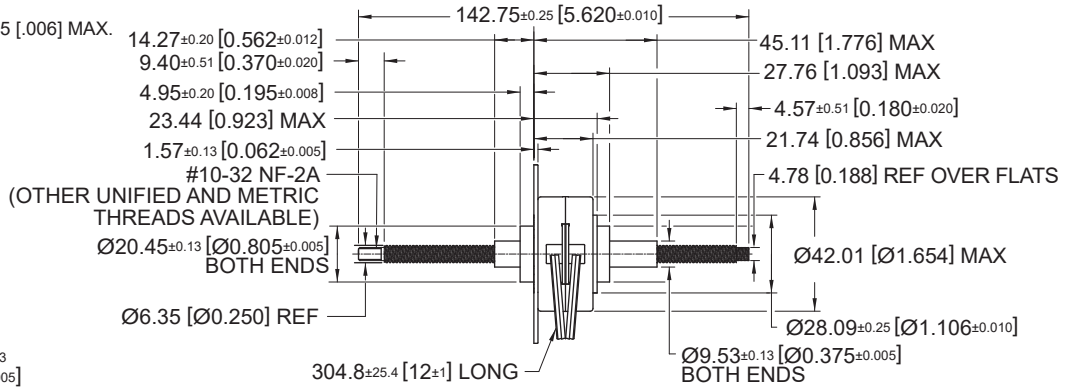
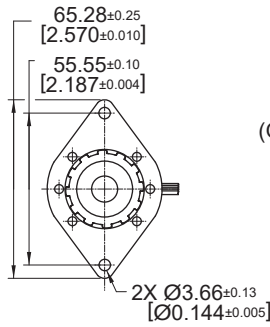


42DBL-L

Ø 42 mm • RoHS Compliant • 102.9 N

NOTES :

1. SHAFT AXIAL BACKLASH : 0.15 [0.006] MAX.



Dimensions in mm [inches]

Electrical Data	42DBLXX...-L				Unit
	C1B Bipolar	C2B Bipolar	C1U Unipolar	C2U Unipolar	
1 Operating Voltage #	5	12	5	12	VDC
2 Resistance per Phase, ± 10%	5.0	28.8	5.0	28.8	Ohms
3 Inductance per Phase, typ	5.5	39.3	3.7	15.0	mH
4 Rated Current per Phase, 1 Phase ON	1.41	0.59	1.41	0.59	A
5 Input Power	10.0	10.0	10.0	10.0	W

General Data	XX	Linear travel per step	42DBLXX...-L			
			C1B Bipolar	C2B Bipolar	C1U Unipolar	C2U Unipolar
6 Min. Holding Force @ rated current	10	@ .001" (0.0254mm)	102.9 (370)		100 (360)	N (oz)
	20	@ .002" (0.0508mm)	83.4 (300)		72.3 (260)	N (oz)
	40	@ .004" (0.1016mm)	55.6 (200)		50 (180)	N (oz)
7 Min. Holding Force (Unenergized)	10	@ .001" (0.0254mm)		100 (360)		N (oz)
	20	@ .002" (0.0508mm)		83.4 (300)		N (oz)
	40	@ .004" (0.1016mm)		19.5 (70)		N (oz)
8 Stroke Length, Typ				76.2 (3)		mm (in)
9 Linear Travel Accuracy				± 1 Step		
10 Steps per Revolution				48		
11 Ambient Temperature Range (operating)				-20 to +70 (-4 to +158)		°C (°F)
12 Maximum Coil Temperature				130 (266)		°C (°F)
13 Bearing Type				Ball Bearing		
14 Insulation Resistance at 500 VDC				20		Mohms
15 Dielectric Withstanding Voltage				650 for 2 seconds		VAC
16 Weight				156 (5.51)		g (oz)
17 Leadwire				AWG 26, UL 1430		

Notes: 1. All motor data values at 20° C unless otherwise specified – 2. # Voltage in case of voltage driver (indicator R#1)

