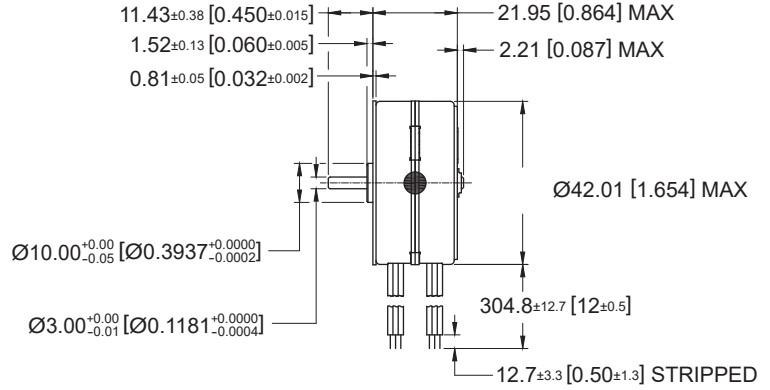
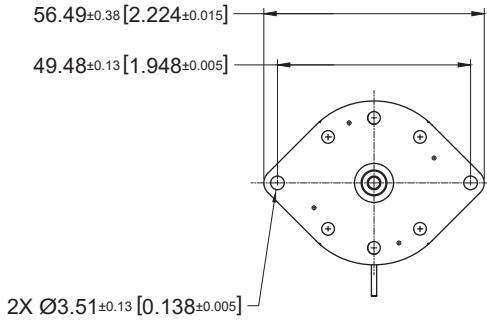


42L048D

Ø 42 mm • RoHS Compliant • 131 mNm



Dimensions in mm [inches]

Electrical Data	42L048D••				Unit
	1U Unipolar	2U Unipolar	1B Bipolar	2B Bipolar	
1 Operating Voltage	5	12	5	12	VDC
2 Resistance per Phase, ± 10%	5.2	30.0	5.2	30.0	Ohms
3 Inductance per Phase, typ	2.1	11.3	4.2	22.3	mH
4 Rated Current per Phase *	0.96	0.40	0.96	0.40	A
Coil Independent Parameters					
5 Holding Torque, MIN *	106 (15.1)	106 (15.1)	131 (18.5)	131 (18.5)	mNm (oz-in)
6 Detent Torque, Max	29.7 (4.2)				mNm (oz-in)
7 Rotor Inertia	19.5 (0.1066)				gcm ² (oz-in ²)
8 Step Angle	7.5				Degree
9 Absolute accuracy 2 ph. On, Full step	± 0.5				Degree
10 Steps per Revolution	48.0				
11 Ambient Temp Range (operating)	-20 to +70 (-4 to +158)				°C (°F)
12 Maximum Coil Temperature	130 (266)				°C (°F)
13 Bearing Type	Sintered Bronze Sleeve				
14 Insulation Resistance at 500 VDC	100.0				Mohms
15 Dielectric Withstanding Voltage	650 VRMS for 2 seconds				VAC
16 Weight	116.4 (4.1)				g (oz)
17 Leadwire	AWG #26, UL1430 (105° C, 300 V)				

Note: All motor data values at 20° C unless otherwise specified
 * Engergize at rated current, 2-Phase On

