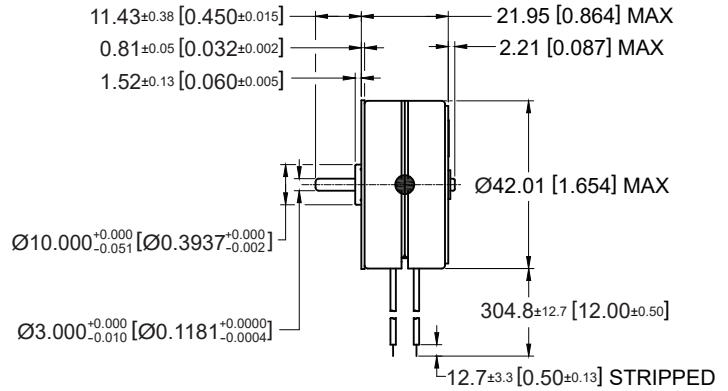
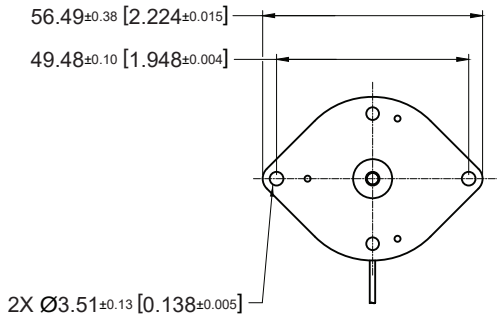


## 42M048C

Ø 42 mm • RoHS Compliant • 83.8 mNm



Dimensions in mm [inches]

| Electrical Data                         | 42M048C●●   |                                 |             |             | Unit                                   |
|---|-------------|---------------------------------|-------------|-------------|--|
|   | 1U Unipolar | 2U Unipolar                     | 1B Bipolar  | 2B Bipolar  |  |
| 1 Operating Voltage                     | 5           | 12                              | 5           | 12          | VDC                                    |
| 2 Resistance per Phase, ± 10%           | 9.1         | 52.4                            | 9.1         | 52.4        | Ohms                                   |
| 3 Inductance per Phase, typ             | 8.1         | 51.7                            | 16.7        | 85.7        | mH                                     |
| 4 Rated Current per Phase *             | 0.55        | 0.23                            | 0.55        | 0.23        | A                                      |
| Coil Independent Parameters             |             |                                 |             |             |  |
| 5 Holding Torque, MIN *                 | 66.2 (9.4)  | 66.2 (9.4)                      | 83.8 (11.9) | 83.8 (11.9) | mNm (oz-in)                            |
| 6 Detent Torque, Max                    |             | 12.7 (1.8)                      |             |             | mNm (oz-in)                            |
| 7 Rotor Inertia                         |             | 12.5 (0.068)                    |             |             | gcm <sup>2</sup> (oz-in <sup>2</sup> ) |
| 8 Step Angle                            |             | 7.5                             |             |             | Degree                                 |
| 9 Absolute accuracy 2 ph. On, Full step |             | ± 0.5                           |             |             | Degree                                 |
| 10 Steps per Revolution                 |             | 48.0                            |             |             |  |
| 11 Ambient Temp Range (operating)       |             | -20 to +70 (-4 to +158)         |             |             | °C (°F)                                |
| 12 Maximum Coil Temperature             |             | 130 (266)                       |             |             | °C (°F)                                |
| 13 Bearing Type                         |             | Sintered Bronze Sleeve          |             |             |  |
| 14 Insulation Resistance at 500 VDC     |             | 100.0                           |             |             | Mohms                                  |
| 15 Dielectric Withstanding Voltage      |             | 650 VRMS for 2 seconds          |             |             | VAC                                    |
| 16 Weight                               |             | 145 (5.1)                       |             |             | g (oz)                                 |
| 17 Leadwire                             |             | AWG #26, UL1430 (105° C, 300 V) |             |             |  |

Note: All motor data values at 20° C unless otherwise specified  
 \* Engergize at rated current, 2-Phase On

