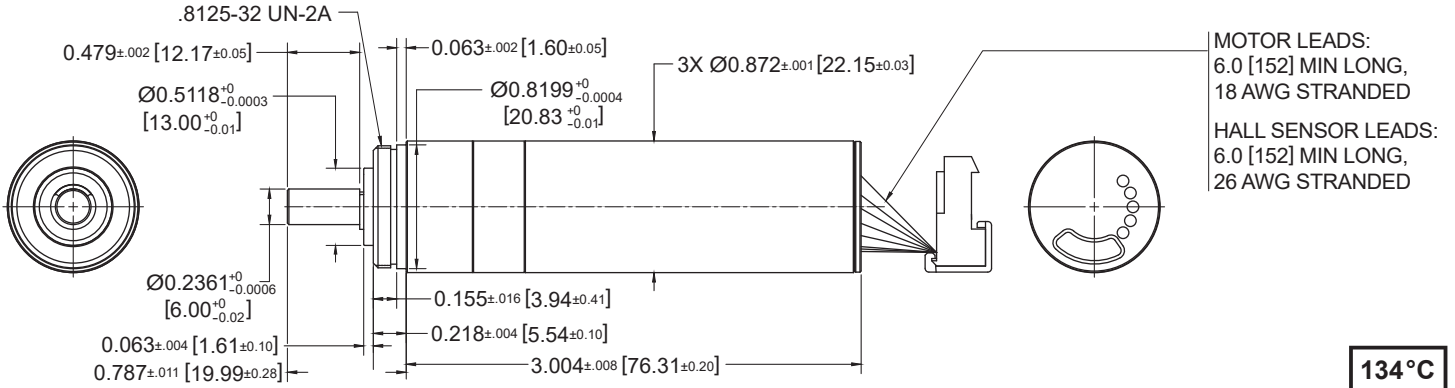


B0912N4024 Small Bone Orthopedic Saw

Ø 0.872 inch • Brushless Slotted • 9.6 V



MOTOR LEADS:
6.0 [152] MIN LONG,
18 AWG STRANDED

HALL SENSOR LEADS:
6.0 [152] MIN LONG,
26 AWG STRANDED



Dimensions in inches [mm]

Electrical Data	Symbol	SMX B0912N4024	Unit
1 Nominal Voltage	U_N	9.6	Volt
2 Optimization Direction	-	Bi-Directional	-
3 No Load Speed	n_0	12,851	rpm
4 Typical No Load Current	I_0	1250	mA
5 Max. Continuous Mechanical Power (@25°C)	P_{max}	111.6	W
6 Max. Continuous Current	I_{cs}	14.52	A
7 Max. Continuous Torque	T_{cs}	88.8 (12.6)	mNm (oz-in)
8 Back EMF Constant	k_E	0.747	V/1000 rpm
9 Torque Constant	k_T	6.42 (0.909)	mNm/A (oz-in/A)
10 Motor Regulation	R/k^2	970	$10^3/Nms$
11 Peak Torque	T_{pk}	1534.5 (217.3)	mNm (oz-in)
12 Motor Constant	k_M	11.89 (1.68)	mNm/W ^{1/2} (oz-in/W ^{1/2})
13 Line to Line Resistance	R_L	0.040	ohms
14 Inductance Phase to Phase	L	0.009	mH
15 Mechanical Time Constant	T_m	3.77	ms
16 Electrical Time Constant	T_e	0.225	ms

General Data			
17 Gearhead Ratio	-	3:1	Ratio
18 Ambient Working Temperature Range	-	25 (77)	°C (°F)
19 Max Operating Temperature Range	-	155 (311)	°C (°F)
20 Radial Static Force w/o Shaft Support (max)	-	47.28	lbs
21 Axial Static Force w/o Shaft Support (max)	-	64.50	lbs
22 Thermal Resistance	R_{th}	10.2	°C/W
23 Thermal Time Constant	T_w	926	s
24 Weight	-	191 (6.74)	g (oz)
25 Rotor Inertia	J_m	24.7 (35.0)	kg-cm ² 10 ⁻⁴ (oz-in-sec ² 10 ⁻⁶)
26 Hall Sensor Electrical Phasing*	-	60	Electrical °
27 Autoclave Cycles	-	1000+	Cycles

*Also available without Hall sensors

Wire	Description
Blue	Phase A
Brown	Phase B
Violet	Phase C
Red	4.5 to 24 Vdc
Yellow	Sensor 1
Orange	Sensor 2
White	Sensor 3
Black	GND

