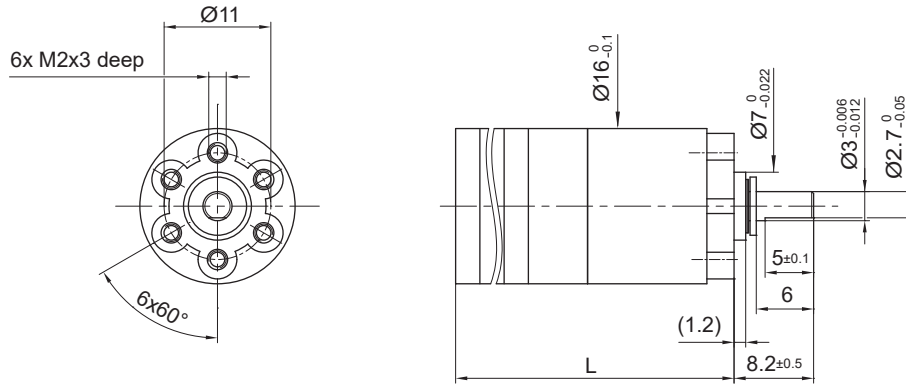


**BA16** Ø 16 mm • Gearbox with Spur Gear and Planetary Output • 0.2 Nm



Dimensions in mm

Ratio	22.5	40.5	67.5	121.5	202.5	243	364.5	607.8	1093.5	1822.5	3280.5
1 Number of Gear Stages	3	3	4	4	5	5	5	6	6	7	7
2 Direction of Rotation	=	=	≠	≠	=	=	=	≠	≠	=	=
3 Efficiency	0.72	0.72	0.65	0.65	0.59	0.59	0.59	0.53	0.53	0.48	0.48
4 L (mm)	26.7	26.7	29.2	29.2	31.7	31.7	31.7	34.2	34.2	36.7	36.7
5 Weight	g (oz)	12 (0.423)	12 (0.423)	13 (0.458)	13 (0.458)	14 (0.493)	14 (0.493)	15 (0.529)	15 (0.529)	15 (0.529)	16 (0.564)

6 Available with Motor – L2 - Length with motor (mm)	22.5	40.5	67.5	121.5	202.5	243	364.5	607.8	1093.5	1822.5	3280.5
16C18	45.4	45.4	47.9	47.9	51.4	51.4	51.4	52.9	52.9	55.4	55.4
16N78	54.7	54.7	57.2	57.2	59.7	59.7	59.7	62.2	62.2	64.7	64.7
16G88	54.7	54.7	57.2	57.2	59.7	59.7	59.7	62.2	62.2	64.7	64.7
17S78	48.4	48.4	50.9	50.9	53.4	53.4	53.4	55.9	55.9	58.4	58.4
17N78	52.6	52.6	55.1	55.1	57.6	57.6	57.6	60.1	60.1	62.6	62.6
P110	45.7	45.7	48.2	48.2	50.7	50.7	50.7	53.2	53.2	55.7	55.7
16DCP/16DCT/17DCT CB	52.7	52.7	55.2	55.2	57.7	57.7	57.7	60.2	60.2	62.7	62.7
16DCP/16DCT/17DCT PM	52.2	52.2	54.7	54.7	57.2	57.2	57.2	59.7	59.7	62.2	62.2

Characteristics	Unit	BA16 • 0 • .....	BA16 2R • 0 • .....
7 Shaft Bearings		Sleeve	Ball Bearing
8 Maximum Static Torque	Nm (oz-in)	0.4 (57)	0.4 (56)
9 Maximum Radial Force @ 8mm from mounting face	N (lb)	5 (1.1)	15 (3.3)
10 Maximum Axial Force	N (lb)	5 (1.1)	10 (2.2)
11 Maximum Press Fit Force	N (lb)	200 (44)	200 (44)
12 Average Backlash @ no-load		1.5°	1.5°
13 Average Backlash @ 0.3 Nm		3°	3°
Shaft Play:			
14 -radial	µm	≤ 30	≤ 10
15 -axial	µm	≤ 150	≤ 100
16 Maximum Recommended Input Speed	rpm	8000	8000
17 Operating Temperature Range:	°C (°F)	-30 to +65 (-22 to +150)	

