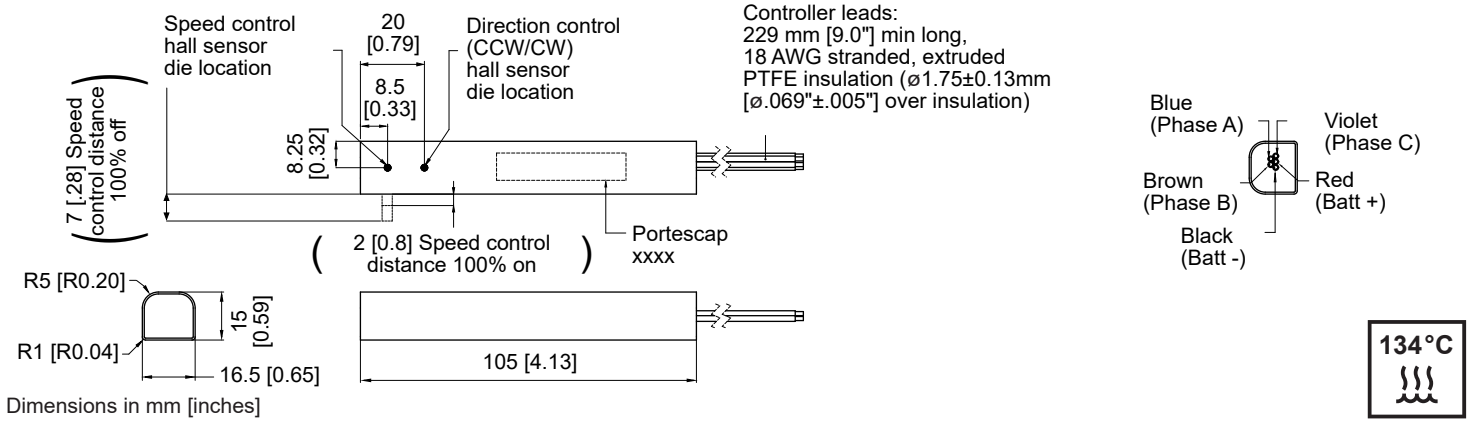


CNT2440

SMS Controller



Electrical Data	CNT2440	Unit
1 Min. Operating Voltage	5	Volt
2 Max. Operating Voltage	24	Volt
3 Standby Current	70	mA DC
4 Current Limit	70 for <10 ms	A DC
5 Max. Continuous Input Power	960	W
6 Continuous Output Current	40	A DC
Operating Modes		
7 Control Method	Open Loop Speed Control	
8 Switching Waveform	Hybrid of Six-Step and Sinusoidal	
9 Feedback Type	Sensorless	
Inputs		
10 Power Input	BATT+, BATT-	
11 Magnetic Triggers	Direction (FD/REV), Speed (0-100% PWM)	
12 Recommended Speed Magnet Grade {1}	SmCo18 1:5	
13 Recommended Speed Magnet Dimensions	4.76 x 1.52 (0.188" x 0.060") Dia x Thick	mm (in)
14 Recommended Direction Magnet Grade {1}	SmCo20 1:5	
15 Recommended Direction Magnet Dimension	3.18 x 3.18 (0.125" x 0.125") Dia x Thick	mm (in)
Outputs		
16 Phase Leads	A, B, C	
Environmental		
17 Maximum Storage Temperature	150 (302)	°C (°F)
18 Autoclave Cycles	1,000	
Mechanical		
19 Housing Material	Aluminum	
20 Dimensions	16.5 x 105 x 15 (0.65 x 4.13 x 0.59)	mm (in)
21 Weight	60 (2.11)	g (oz)
22 Wire Insulation Material	PTFE	
23 Power Lead AWG	18	

Notes:
 1. Recommended disk magnets are suggestions for the appropriate magnet to incorporate into the speed trigger and direction switch of customer's hand piece. Please contact Portescap for any different magnet specifications or further questions.