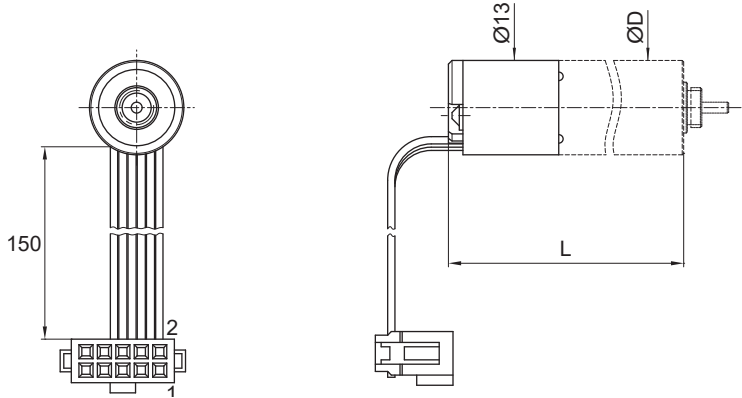


D12

Integrated Magnetic Encoder



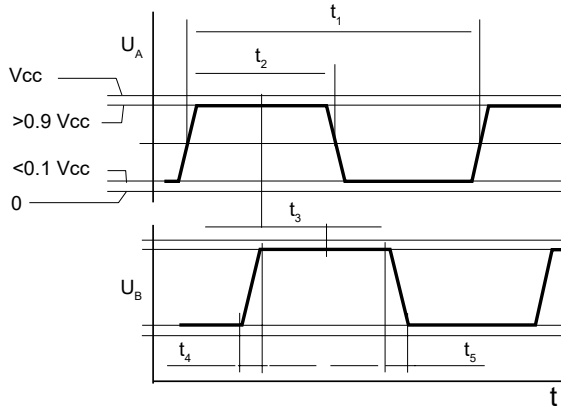
Encoder Type D Connections	
1	Motor +
2	Vcc
3	Channel A
4	Channel B
5	GND
6	Motor -
7	Strobe
8	NC
9	NC
10	NC

Dimensions in mm

Electrical Data	Characteristics @ 22° C	Unit
1 Number of Lines Available	12	LPR
2 Supply Voltage	5	Volt
3 Supply Current	Typical 4	mA
4 Rise Time	125	ns
5 Fall Time	50	ns
6 Output Signal	Two channels square wave	
7 Electrical Phase Shift	90 ± 40	degree
8 Signal Ratio	50 ± 25	%
9 Maximum Count Frequency	10	kHz
10 Operating Temperature Range:	-20 to +85 (-4 to +185)	°C (°F)
11 Code Wheel Moment of Inertia	0.1	10 ⁻⁷ x kgm ²
12 Weight	Varies by motor size. Contact us.	
		g (oz)

Available on Motor Types	13N88
Length with motor mm (in)	40.4 (1.59)

Typical Encoder Output Signal



t_1	Period
t_2/t_1	Signal Ratio
t_3	Phase Shift
t_4	Rise Time
t_5	Fall Time