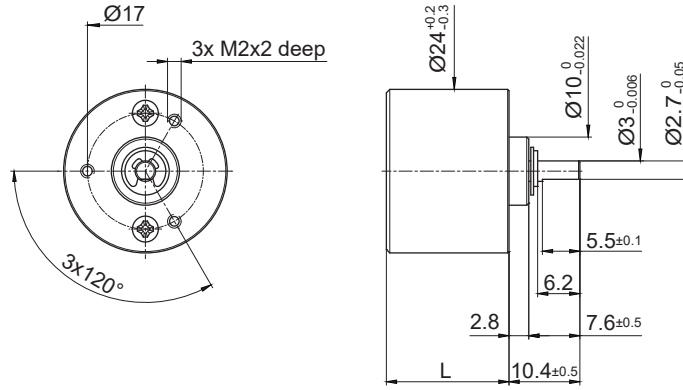


**K24**

Ø 24 mm • Spur Gearbox • 0.17 Nm



Dimensions in mm

Ratio	5	8	20	32	64	128	320	800	2048	
1 Number of Gear Stages	2	2	4	4	4	4	6	6	6	
2 Direction of Rotation	=	=	=	=	=	=	=	=	=	
3 Efficiency	0.85	0.85	0.75	0.75	0.75	0.75	0.65	0.65	0.65	
4 L (mm)	15	15	18	18	18	18	21	21	21	
5 Weight	g (oz)	15 (0.529)	15 (0.529)	18 (0.634)	18 (0.634)	18 (0.634)	18 (0.634)	21 (0.705)	21 (0.705)	21 (0.705)
<b>6 Available with Motor – L2 - Length with motor (mm)</b>										
22N78	47	47	50	50	50	50	53	53	53	
22N98	48.9	48.9	51.9	51.9	51.9	51.9	54.9	54.9	54.9	
26N58	58.3	58.3	61.3	61.3	61.3	61.3	64.3	64.3	64.3	
26N48	57.1	57.1	60.1	60.1	60.1	60.1	63.1	63.1	63.1	
P310	32.4	32.4	35.4	35.4	35.4	35.4	38.4	38.4	38.4	
22DCP/22DCT/24DCT	50.2	50.2	53.2	53.2	53.2	53.2	56.2	56.2	56.2	

Characteristics	Unit	K24 • 0 • ....	K24 2R • 0 • ....
7 Shaft Bearings		Sleeve	Ball Bearing
8 Maximum Static Torque	Nm (oz-in)	0.7 (100)	0.7 (100)
9 Maximum Radial Force			
@ 8mm from mounting face	N (lb)	5 (1.1)	20 (4.5)
10 Maximum Axial Force	N (lb)	8 (1.8)	10 (2.2)
11 Maximum Press Fit Force	N (lb)	30 (6.7)	30 (6.7)
12 Average Backlash @ no-load		1.5°	1.5°
13 Average Backlash @ 0.3 Nm		2.5°	2.5°
Shaft Play:			
14 -radial	µm	≤ 40	≤ 10
15 -axial	µm	50-150	≤ 10
16 Maximum Recommended Input Speed	rpm	5,000	5,000
17 Operating Temperature Range:	°C (°F)	-30 to +65 (-22 to +150)	

