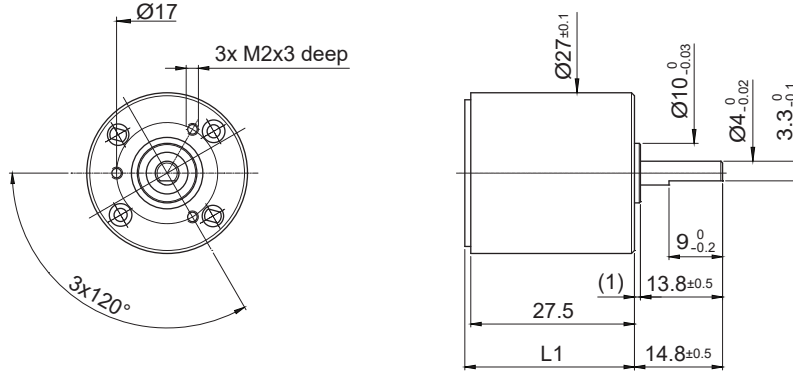


K27

Ø 27 mm • Spur Gearbox • 0.4 Nm



Dimensions in mm

Ratio	6.2	18.6	27.9	55.7	99.1	198	501	979	2970	
1 Number of Gear Stages	4	4	4	4	6	6	6	6	9	
2 Direction of Rotation	=	=	=	=	=	=	=	=	≠	
3 Efficiency	0.65	0.65	0.65	0.65	0.55	0.55	0.55	0.55	0.4	
4 L (mm)	28.5	28.5	28.5	28.5	28.5	28.5	28.5	28.5	28.5	
5 Weight	g (oz)	40 (1.410)	40 (1.410)	40 (1.410)	40 (1.410)	42 (1.481)	42 (1.481)	42 (1.481)	42 (1.481)	48 (1.693)
6 Available with Motor – L2 - Length with motor (mm)										
22N78	60.5	60.5	60.5	60.5	60.5	60.5	60.5	60.5	60.5	
22N98	62.4	62.4	62.4	62.4	62.4	62.4	62.4	62.4	62.4	
23GST82	63.6	63.6	63.6	63.6	63.6	63.6	63.6	63.6	63.6	
26N58	71.8	71.8	71.8	71.8	71.8	71.8	71.8	71.8	71.8	
26N48	70.6	70.6	70.6	70.6	70.6	70.6	70.6	70.6	70.6	
P310	45.9	45.9	45.9	45.9	45.9	45.9	45.9	45.9	45.9	
22DCP/22DCT/24DCT	60.5	60.5	60.5	60.5	60.5	60.5	60.5	60.5	60.5	

Characteristics	Unit	K27 • 0 •	K27 2R • 0 •
7 Shaft Bearings		Sleeve	Ball Bearing
8 Maximum Static Torque	Nm (oz-in)	0.7 (100)	0.7 (100)
9 Maximum Radial Force @ 8mm from mounting face	N (lb)	20 (4.5)	25 (5.5)
10 Maximum Axial Force	N (lb)	8 (1.8)	40 (9)
11 Maximum Press Fit Force	N (lb)	300 (67.5)	60 (13.5)
12 Average Backlash @ no-load		2°	2°
13 Average Backlash @ 0.3 Nm		3°	3°
Shaft Play:			
14 -radial	µm	≤ 60	≤ 20
15 -axial	µm	50-150	≤ 100
16 Maximum Recommended Input Speed	rpm	4,000	4,000
17 Operating Temperature Range:	°C (°F)	-30 to +65 (-22 to +150)	

