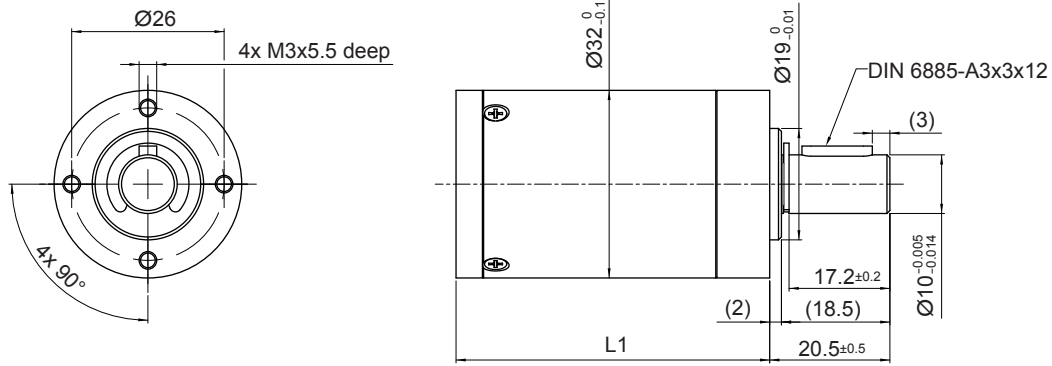


**R32HT**

Ø 32 mm • Planetary Gearbox • 8 Nm



Dimensions in mm

Ratio	17.6	33	73.4	99.8	138	190
1 Number of Gear Stages	2	2	3	3	3	3
2 Direction of Rotation	=	=	=	=	=	=
3 Efficiency	0.8	0.8	0.75	0.75	0.75	0.75
4 L1 (mm)	47.5	47.5	53.5	53.5	53.5	53.5
5 Weight	g (oz)	180 (6.35)	180 (6.35)	210 (7.4)	210 (7.4)	210 (7.4)
<b>6 Available with Motor – L2 - Length with motor (mm)</b>						
35GLT2R82*	114.7	114.7	120.7	120.7	120.7	120.7

Characteristics	Unit	R32HT 2R 0 xxx	
7 Shaft Bearings		Ball Bearings	
8 Maximum Continuous Torque	Nm (oz-in)	4 (566)	8 (1132)
9 Maximum Continuous Power	W	194	92
10 Maximum Intermittent Torque	Nm (oz-in)	12 (1699)	
11 Maximum Radial Force @ 10 mm from mounting face	N (lb)	180 (40)	
12 Maximum Axial Force	N (lb)	150 (33.75)	
13 Average Backlash @ no-load	°	0.8	1
14 Shaft Play			
-Radial (@ 10 mm from flange)	µm	≤ 50	
-Axial	µm	≤ 50	
15 Maximum Recommended Input Speed	rpm	8'000	
16 Operating Temperature Range	°C (°F)	-30 to +85 (-22 to +185)	

\*Other motor combinations can be made available upon request

