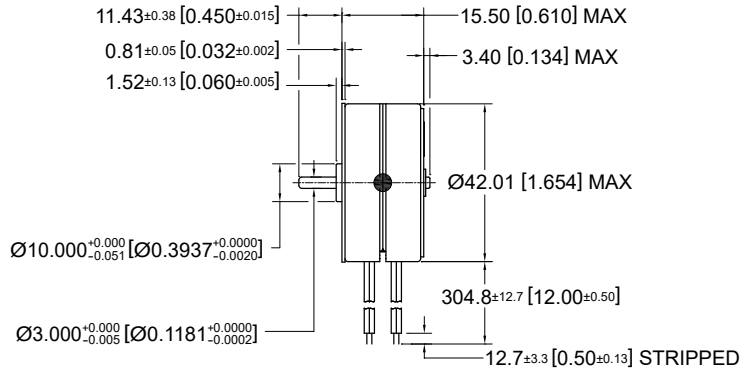
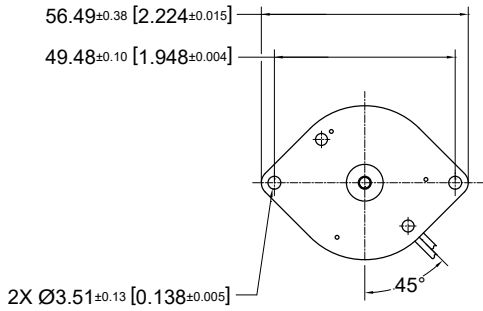


42M100B

Ø 42 mm • RoHS Compliant • 49.4 mNm



Dimensions in mm. [inches]

Electrical Data	42M100B••				Unit
	1U Unipolar	2U Unipolar	1B Bipolar	2B Bipolar	
1 Operating Voltage	5	12	5	12	VDC
2 Resistance per Phase, ± 10%	12.5	75.0	12.5	75.0	Ohms
3 Inductance per Phase, typ	6.6	37.7	11.3	62.1	mH
4 Rated Current per Phase *	0.40	0.16	0.40	0.16	A
Coil Independent Parameters					
5 Holding Torque, MIN *	45.2 (6.4)	45.2 (6.4)	49.4 (7)	49.4 (7)	mNm (oz-in)
6 Detent Torque, Max		5 (0.7)			mNm (oz-in)
7 Rotor Inertia		11.8 (0.065)			gcm ² (oz-in ²)
8 Step Angle		3.6			Degree
9 Absolute accuracy 2 ph. On, Full step		± 0.5			Degree
10 Steps per Revolution		100.0			
11 Ambient Temp Range (operating)		-20 to +70 (-4 to +158)			°C (°F)
12 Maximum Coil Temperature		130 (266)			°C (°F)
13 Bearing Type		Sintered Bronze Sleeve			
14 Insulation Resistance at 500 VDC		100.0			Mohms
15 Dielectric Withstanding Voltage		650 VRMS for 2 seconds			VAC
16 Weight		87.89 (3.1)			g (oz)
17 Leadwire		AWG #28, UL3265 (125° C, 150 V)			

Note: All motor data values at 20° C unless otherwise specified
 * Engergize at rated current, 2-Phase On

