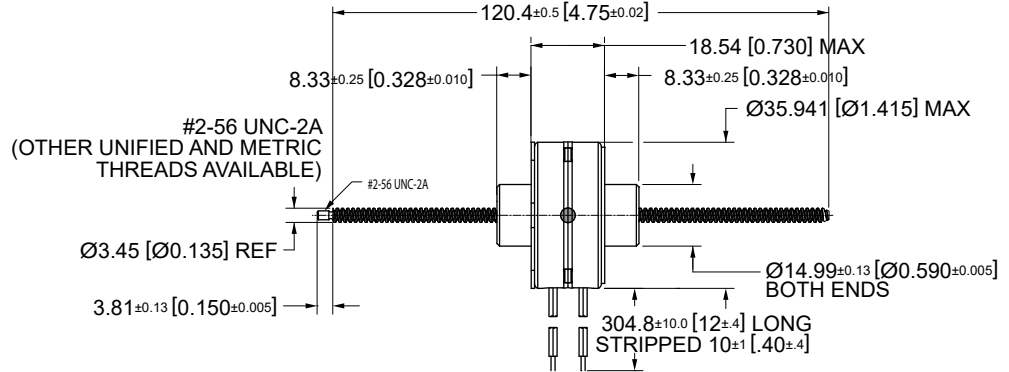
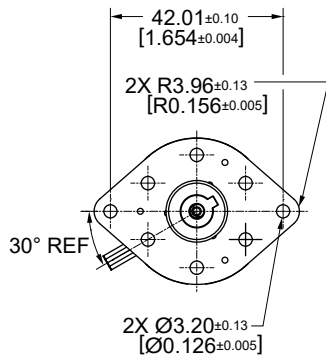


35DBM-L

Ø 35 mm • RoHS Compliant • 112 N



Dimensions in mm. [inches]

| Electrical Data | 35DBMXX●●●-L | | | Unit |
|---------------------------------------|--------------|-------------|-------------|------|
| | D1B Bipolar | D2B Bipolar | D3B Bipolar | |
| 1 Operating Voltage # | 5 | 12 | 2.5 | VDC |
| 2 Resistance per Phase, ± 10% | 10.0 | 58.0 | 2.5 | Ohms |
| 3 Inductance per Phase, typ | 9.5 | 51.4 | 2.4 | mH |
| 4 Rated Current per Phase, 1 Phase ON | 0.71 | 0.29 | 1.41 | A |
| 5 Input Power | 5.0 | 5.0 | 5.0 | W |

| General Data | XX | Linear travel per step | | |
|--|----|------------------------|-------------------------|---------|
| 6 Min. Holding Force @ rated current | 10 | @ .001" (0.0254mm) | 112 (403) | N (oz) |
| | 20 | @ .002" (0.0508mm) | 70 (252) | N (oz) |
| 7 Min. Holding Force (Unenergized) | 10 | @ .001" (0.0254mm) | 40 (144) | N (oz) |
| | 20 | @ .002" (0.0508mm) | 10 (36) | N (oz) |
| 8 Stroke Length, Typ | | | 63.5 (2.5) | mm (in) |
| 9 Linear Travel Accuracy | | | ± 1 Step | |
| 10 Steps per Revolution | | | 48 | |
| 11 Ambient Temperature Range (operating) | | | -20 to +70 (-4 to +158) | °C (°F) |
| 12 Maximum Coil Temperature | | | 130 (266) | °C (°F) |
| 13 Bearing Type | | | Ball Bearing | |
| 14 Insulation Resistance at 500 VDC | | | 20 | Mohms |
| 15 Dielectric Withstanding Voltage | | | 650 for 2 seconds | VAC |
| 16 Weight | | | 85 (3) | g (oz) |
| 17 Leadwire | | | AWG 26, UL 1429 | |

Notes: 1. All motor data values at 20° C unless otherwise specified – 2. # Voltage in case of voltage driver (indicator R•I)

