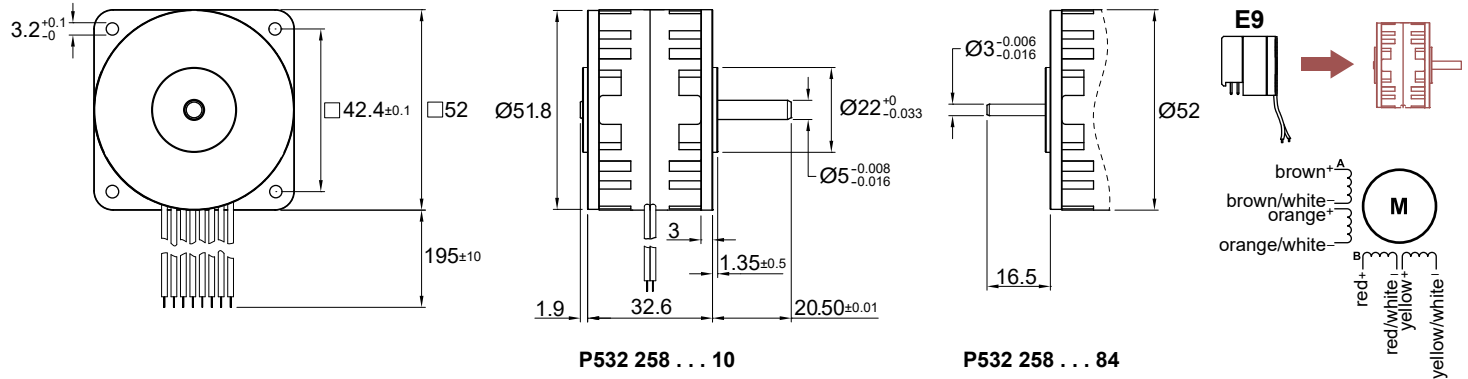


P532

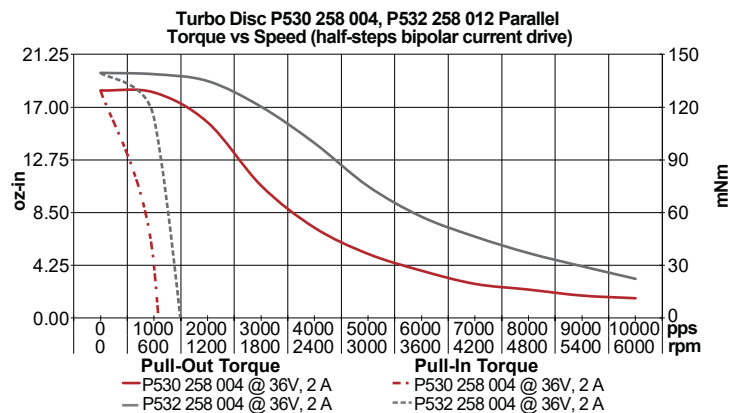
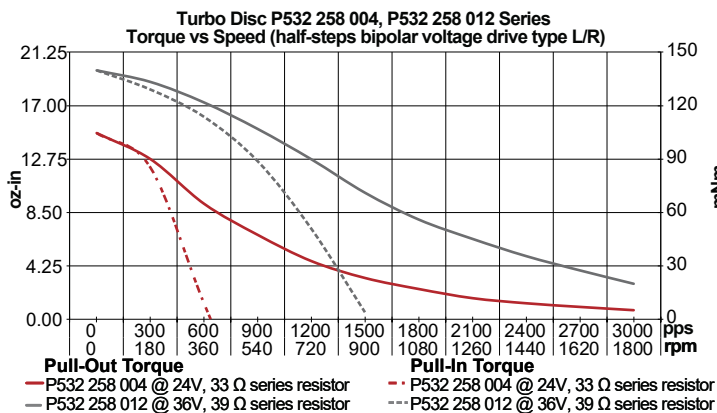
Ø 52 mm • 205 mNm



Dimensions in mm.

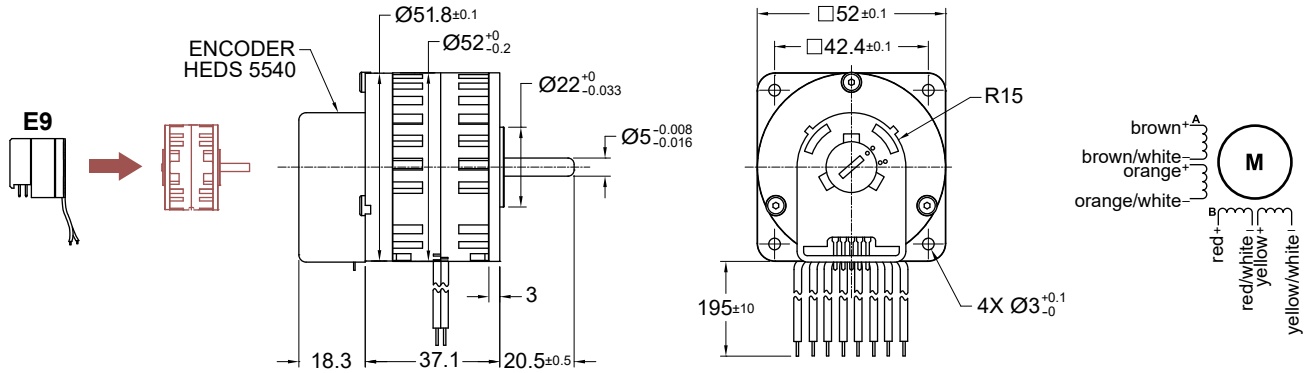
Electrical Data	P532 258 012		P532 258 004		Unit
	10/84 (series)	10/84 (series)	10/84 (parallel)	10/84 (parallel)	
1 Resistance per Phase, typ	27.0	8.8	2.2	0.35	Ohms
2 Inductance per Phase, typ	64.0	20.0	5.0	0.70	mH
3 Nominal Phase Current (2 ph. On)	0.40	0.70	1.40	3.70	A
4 Nominal Phase Current (1 ph. On)	0.56	1.00	2.00	5.20	A
5 Back EMF Amplitude	21.00	12.00	6.00	2.30	V/kstep/s
General Data					
6 Holding Torque, nominal current	205 (29)			mNm (oz-in)	
7 Holding Torque, 1.5x nominal current (1)	300 (42.5)			mNm (oz-in)	
8 Detent Torque	40 (5.67)			mNm (oz-in)	
9 Rotor Inertia	12.000			kgm ² x 10 ⁻⁷	
10 Step Angle	3.6			Degree	
11 Absolute Accuracy 2 ph. On, Full step mode	+/- 5%			% Full Step	
12 Steps Per Revolution	100				
13 Ambient Temperature Range (operating)	-20 to 50 (-4 to 122)			°C (°F)	
14 Maximum Coil Temperature	130 (266)			°C (°F)	
15 Thermal Resistance Coil-ambient (2)	7.3			°C/W	
16 Natural Resonance Frequency (nominal current)	330			Hz	
17 Electrical Time Constant	2.30			ms	
18 Angular Acceleration (nominal current)	195,000			rad/s ²	
19 Bearing Type	Ball				
20 Dielectric Withstanding Voltage	500 VRMS for 5 seconds			VAC	
21 Radial Shaft Play	25@5N			µm	
22 Axial Shaft Play	25@5N			µm	
23 Maximum Radial Shaft Load	20 (72)			N (oz)	
24 Maximum Axial Shaft Load (3)	30 (108)			N (oz)	
25 Weight	250 (8.8)			g (oz)	
26 Power Rate (nominal current)	35.0			kW/s	

- Notes:
1. Measured with 1 phase ON. The max coil temperature must be respected
 2. Motor unmounted
 3. Shaft must be supported when press-fitting a pulley or pinion



P532 with Encoder

Ø 52 mm • 205 mNm



Dimensions in mm.

Electrical Data	P532 012 150 HEDS		P532 004 150 HEDS		Unit
	5540 A11 (series)	5540 A11 (series)	5540 A11 (parallel)	5540 A11 (parallel)	
1 Resistance per Phase, typ	27.0	8.80	2.20	0.31	Ohms
2 Inductance per Phase, typ	64.0	20.0	5.0	0.70	mH
3 Nominal Phase Current (2 ph. On)	0.40	0.70	1.40	3.74	A
4 Nominal Phase Current (1 ph. On)	0.56	1.00	2.00	5.29	A
5 Back EMF Amplitude	21.00	12.00	6.00	2.30	V/kstep/s
General Data					
6 Holding Torque, nominal current	205 (29)				mNm (oz-in)
7 Holding Torque, 1.5x nominal current (1)	300 (42.5)				mNm (oz-in)
8 Detent Torque	45 (6.4)				mNm (oz-in)
9 Rotor Inertia	13.0				kgm ² x 10 ⁻⁷
10 Step Angle	3.6				Degree
11 Absolute Accuracy 2 ph. On, Full step mode	+/- 5%				% Full Step
12 Steps Per Revolution	100				
13 Ambient Temperature Range (operating)	-20 to 50 (-4 to 122)				°C (°F)
14 Maximum Coil Temperature	130 (266)				°C (°F)
15 Thermal Resistance Coil-ambient (2)	7.3				°C/W
16 Natural Resonance Frequency (nominal current)	350				Hz
17 Electrical Time Constant	2.30				ms
18 Angular Acceleration (nominal current)	171,000				rad/s ²
19 Bearing Type	Ball				
20 Dielectric Withstanding Voltage	500 VRMS for 5 seconds				VAC
21 Radial Shaft Play	25@5N				µm
22 Axial Shaft Play	25@5N				µm
23 Maximum Radial Shaft Load	20 (72)				N (oz)
24 Maximum Axial Shaft Load (3)	30 (108)				N (oz)
25 Weight	260 (9.2)				g (oz)
26 Power Rate (nominal current)	35.0				kW/s

Notes:

1. Measured with 1 phase ON. The max coil temperature must be respected
2. Motor unmounted
3. Shaft must be supported when press-fitting a pulley or pinion
4. For encoder specification, please refer to the dedicated encoder catalog page for HEDS 5540

