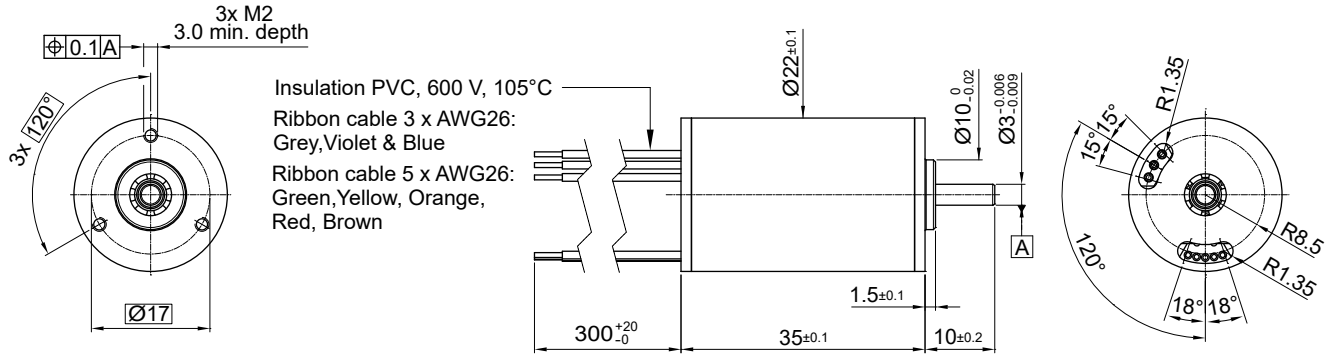


22ECP35 Ultra EC™

Ø 22 mm • 2-pole • 55 W



Dimensions in mm.

Electrical Data	Symbol	22ECP35 8B-184.01	Unit
1 Nominal Voltage	U_N	24	Volt
2 Optimization Direction	-	Symetrical	-
3 No Load Speed	n_0	13,200	rpm
4 Typical No Load Current	I_0	30.0	mA
5 Max. Continuous Mechanical Power (@25°C)	P_{max}	56.0	W
6 Max. Continuous Current	$I_{e,max}$	0.8	A
7 Max. Continuous Torque	$M_{e,max}$	14.3 (2.03)	mNm (oz-in)
8 Back EMF Constant	k_E	1.82	V/1000 rpm
9 Torque Constant	k_M	17.4	mNm/A
10 Motor Regulation	R/k^2	21.8	$10^3/Nms$
11 Motor Regulation	$k/R^{1/2}$	6.77 (0.96)	mNm/W ^{1/2} (oz-in/W ^{1/2})
12 Internal Resistance - phase to phase	R_l	6.58	ohms
13 Line to Line Resistance at Connectors	R_L	6.71	ohms
14 Inductance Phase to Phase	L	0.89	mH
15 Mechanical Time Constant	τ_m	3.0	ms
16 Electrical Time Constant	τ_e	0.14	ms

General Data			
17 Maximum Motor Speed	n_{max}	50000	rpm
18 Ambient Working Temperature Range	-	-30 to + 100 (-22 to + 212)	°C (°F)
19 Ambient Storage Temperature Range	-	-40 to + 100 (-40 to + 212)	°C (°F)
20 Ball Bearings Preload	-	5.50	N
21 Axial Static Force w/o Shaft Support (max)	-	34.00	N
22 Maximum Winding Temperature	-	125 (257)	°C (°F)
23 Thermal Resistance	R_{th}	3.5/12.5	°C/W
24 Thermal Time Constant	τ_w	550	s
25 Weight	-	64 (2.26)	g (oz)
26 Rotor Inertia	J	1.38	g-cm ²
27 Hall Sensor Electrical Phasing*	-	120.00	Electrical °

*Available without hall sensor

Wire	Description
Gray	Phase 1
Violet	Phase 2
Blue	Phase 3
Green	3.5 to 24V DC
Yellow	GND
Orange	Sensor 1
Red	Sensor 2
Brown	Sensor 3

with hall effect sensor

