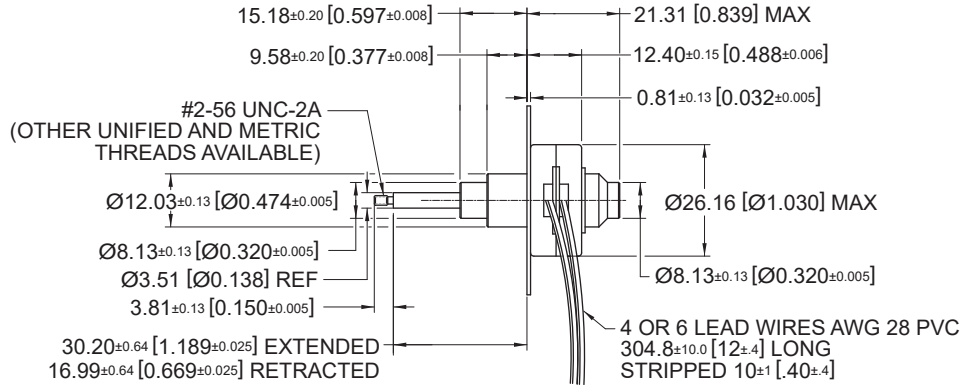
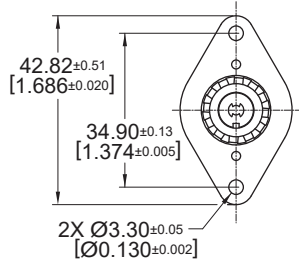


26DBM-K

Ø 26 mm • RoHS Compliant • 35.6 N

- NOTES:
 1. NOT RECOMMENDED TO USE AT THE FULLY RETRACTED AND EXTENDED POSITIONS.
 2. SHAFT AXIAL BACKLASH: 0.15 [0.006] MAX.



Dimensions in mm. [inches]

Electrical Data	26DBMXX●●●-K				Unit
	D1B Bipolar	D2B Bipolar	D1U Unipolar	D2U Unipolar	
1 Operating Voltage #	5	12	5	12	VDC
2 Resistance per Phase, ± 10%	14.6	84.0	14.6	84.0	Ohms
3 Inductance per Phase, typ	8.4	43.3	5.0	26.5	mH
4 Rated Current per Phase, 1 Phase ON	0.48	0.20	0.48	0.20	A
5 Input Power	3.4	3.4	3.4	3.4	W

General Data	XX	Linear travel per step	26DBMXX●●●-K		Unit
			D1B Bipolar	D2B Bipolar	
6 Min. Holding Force @ rated current	10	@ .001" (0.0254mm)	35.6 (128)	34.2 (123)	N (oz)
	20	@ .002" (0.0508mm)	28.9 (104)	28.1 (101)	N (oz)
	40	@ .004" (0.1016mm)	19.2 (69)	17.8 (64)	N (oz)
7 Min. Holding Force (Unenergized)	10	@ .001" (0.0254mm)		34.2 (123)	N (oz)
	20	@ .002" (0.0508mm)		13.9 (50)	N (oz)
	40	@ .004" (0.1016mm)		5.5 (20)	N (oz)
8 Stroke Length, Typ				13.2 (0.52)	mm (in)
9 Linear Travel Accuracy				± 1 Step	
10 Steps per Revolution				48	
11 Ambient Temperature Range (operating)				-20 to +70 (-4 to +158)	°C (°F)
12 Maximum Coil Temperature				130 (266)	°C (°F)
13 Bearing Type				Ball Bearing	
14 Insulation Resistance at 500 VDC				20	Mohms
15 Dielectric Withstanding Voltage				650 for 2 seconds	VAC
16 Weight				34 (1.2)	g (oz)
17 Leadwire				AWG #28, UL1429 (80° C, 150 V)	

Notes: 1. All motor data values at 20° C unless otherwise specified – 2. # Voltage in case of voltage driver (indicator R•)

