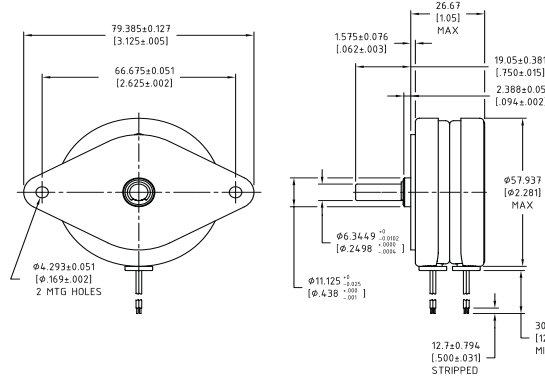


Can Stack Stepper Motors

57L048B

RoHS Compliant

Ø57mm 110.8 mNm



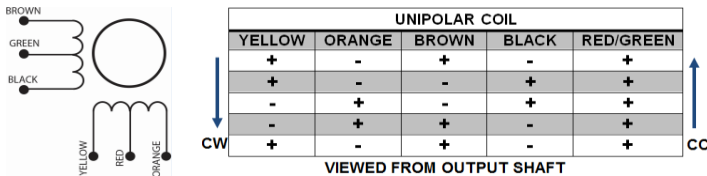
Dimensions in mm

57L048B

Electrical Data	57L048B1U Unipolar	57L048B2U Unipolar	57L048B1B Bipolar	57L048B2B Bipolar	
1 Operating Voltage	5	12	5	12	VDC
2 Resistance per Phase, ± 10%	6.3	36.0	6.3	36.0	Ohms
3 Inductance per Phase, typ	7.0	36.8	14.2	78.8	mH
4 Rated Current per Phase *	0.79	0.33	0.79	0.33	A
Coil independent parameters					
5 Holding Torque, MIN *	98.8 (14)	98.8 (14)	110.8 (15.7)	110.8 (15.7)	mNm (oz-in)
6 Detent Torque, Max			9.9 (1.4)		mNm (oz-in)
7 Rotor Inertia			34 (0.19)		gcm ² (oz-in-s ²)
8 Step Angle			7.5		Degree
9 Absolute accuracy 2 ph. On, Full step			±0.5		Degree
10 Steps per Revolution			48		
11 Ambient Temp Range (operating)			-20 TO 70 (-4 TO 158)		°C (°F)
12 Maximum Coil Temperature			130 (266)		°C (°F)
13 Bearing Type			Sintered Bronze Sleeve		
14 Insulation Resistance at 500 VDC			100		Mohms
15 Dielectric Withstanding Voltage			650 VRMS for 2 seconds		VAC
16 Weight			255.15 (9)		g (oz)
17 Leadwire			AWG #26, UL1430 (105°C, 300V)		

All Motor Data Values at 20°C Unless Otherwise Specified

* Energize at Rated Current, 2 Phase On



UNIPOLAR COIL				
YELLOW	ORANGE	BROWN	BLACK	RED/GREEN
+	-	+	-	+
+	-	-	+	+
-	+	+	+	+
-	+	+	-	+
+	-	+	-	+

BIPOLAR COIL			
RED	GRAY	YELLOW	BLACK
+	-	+	-
+	-	-	+
-	+	-	+
-	+	+	-
+	-	+	-

