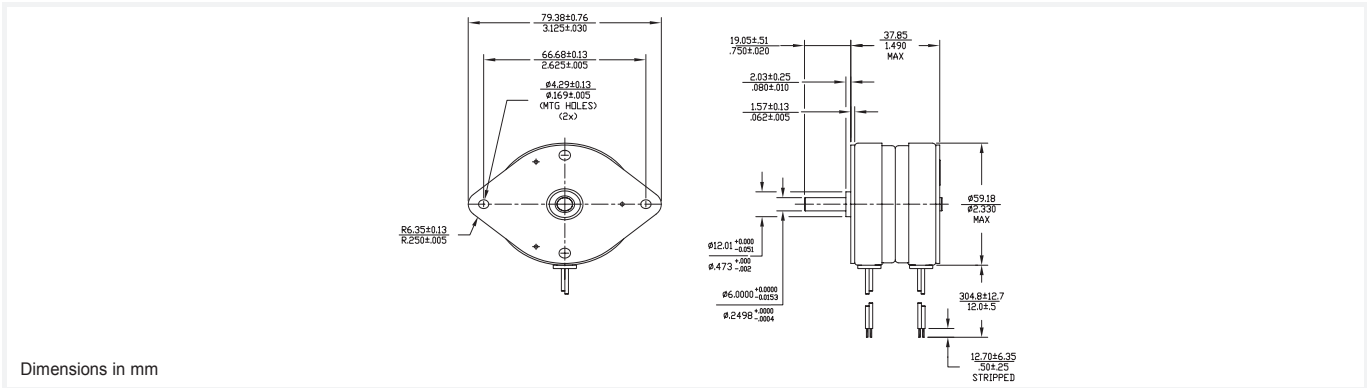


60L048C

RoHS Compliant

Ø60mm

300 mNm

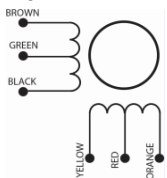


60L048C

Electrical Data	60L048C1U Unipolar	60L048C2U Unipolar	60L048C1B Bipolar	60L048C2B Bipolar	
1 Operating Voltage	5	12	5	12	VDC
2 Resistance per Phase, ± 10%	4.6	26.2	4.6	26.2	Ohms
3 Inductance per Phase, typ	5.8	41.2	16.0	79.0	mH
4 Rated Current per Phase *	1.10	0.46	1.10	0.46	A
Coil independent parameters					
5 Holding Torque, MIN *	251.39 (35.6)	251.39 (35.6)	300.11 (42.5)	300.11 (42.5)	mNm (oz-in)
6 Detent Torque, Max		35.31 (5)			mNm (oz-in)
7 Rotor Inertia		95 (0.52)			gcm ² (oz-in-s ²)
8 Step Angle		7.5			Degree
9 Absolute accuracy 2 ph. On, Full step		±0.5			Degree
10 Steps per Revolution		48			
11 Ambient Temp Range (operating)		0 TO 60 (32 TO 140)			°C (°F)
12 Maximum Coil Temperature		130 (266)			°C (°F)
13 Bearing Type		Sintered Bronze Sleeve			
14 Insulation Resistance at 500 VDC		100			Mohms
15 Dielectric Withstanding Voltage		650 VRMS for 2 seconds			VAC
16 Weight		478 (16.8)			g (oz)
17 Leadwire		AWG #24, UL 1430 (105°C,600V)			

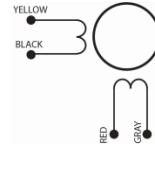
All Motor Data Values at 20°C Unless Otherwise Specified

* Energize at Rated Current, 2 Phase On



UNIPOLAR COIL				
YELLOW	ORANGE	BROWN	BLACK	RED/GREEN
+	-	+	-	+
+	-	-	+	+
-	+	-	+	+
-	+	+	-	+
+	-	+	-	+

VIEWED FROM OUTPUT SHAFT



BIPOLAR COIL			
RED	GRAY	YELLOW	BLACK
+	-	+	-
+	-	-	+
-	+	-	+
-	+	+	-
+	-	+	-

VIEWED FROM OUTPUT SHAFT

