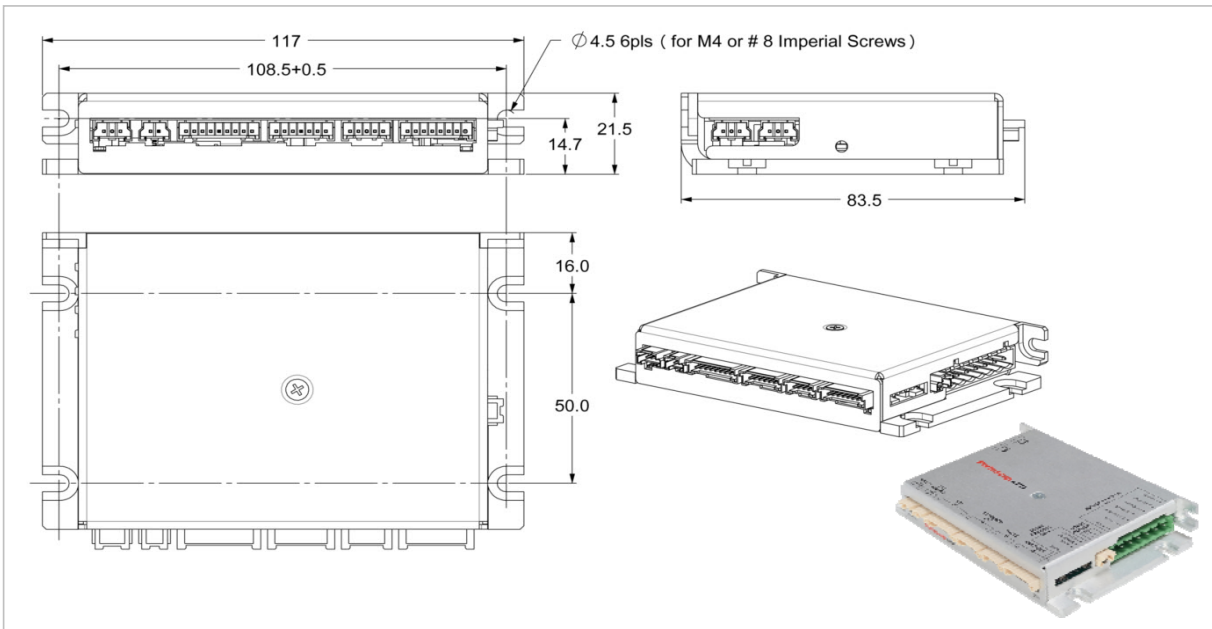


LVD - Low Voltage Drive
High Performances CANopen Servo Drive for DC and BLDC motors

The LVD is a High Performance servo drive, digital amplifier for driving small and large Brushed or Brushless DC motors. Communication is via RS-232 or CANopen and can be operated in Current, Velocity or Position mode. The LVD supports the DS402 CANopen® device profile.



Specifications

Electrical Characteristics:

Logic Input	10-36VDC
Power supply	12-48VDC
Continuous current output	7A RMS
Peak current	12A RMS

Mechanical Characteristics

Size	117X83.5X21.5mm
Weight	250g

Command

CANOpen	
RS232	
Analog Input (+/- 10V)	

Feedback

Incremental encoder with or without hall	TTL or RS422 differential
Halls only (optional)	

Standard I/O

Number of Opto Isolated digital inputs	6
Number of Opto Isolated digital output	2
Number of Analog Input (+/- 10V)	2
Remote Enable Opto Isolated digital inputs	1
Encoder Strobe	TTL or RS422 differential

Protection

Short circuit	
Over temperature	
Over current	
Over voltage	
Feedback loss	
Under voltage	

Conformances

CE and RoHS	
-------------	--